

- ◆ Heavy duty modular cabinet bases available in various configurations:
 - Open (CB)
 - With single or double Doors (CD, CDL, CDR)
 - With Drawer (CR)
- ◆ Available from 12" to 48" wide configurations
- ◆ Cabinet bases with door(s): 12", 18", and 24" wide cabinet bases will have single (left-handed or right handed) door; 30", 36" and 48" wide cabinet bases will have double doors
- ◆ Heavy gauge welded body construction

Adjustable / Removable Door Hinge



- ◆ Stainless steel front, side, and bottom
- ◆ Zamak die cast handle for each door and drawer
- ◆ Drawer models (CR) have a heavy duty full extension drawer slide system which can withstand 100lbs
- ◆ 6" height adjustable legs (4)
- ◆ Heavy duty, concealed, adjustable door hinges with full-overlay doors

With Drawer



OPTIONS

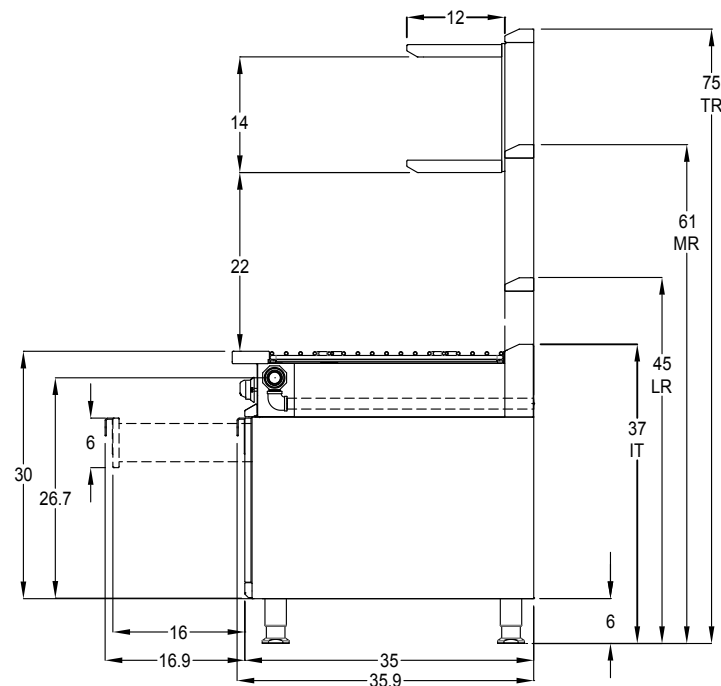
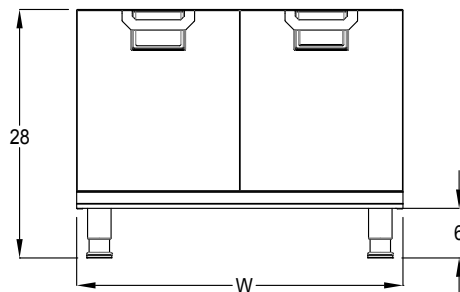
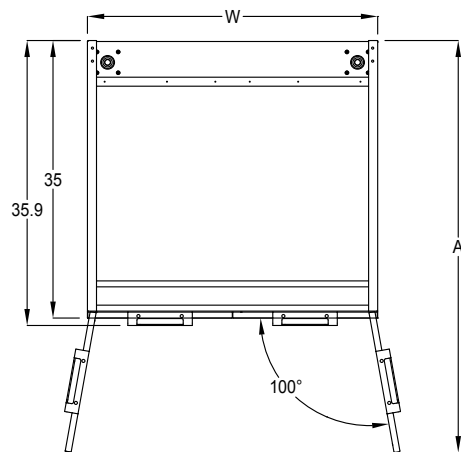
- ◆ Color (contact sales department for available colors)
- ◆ Heated cabinet kit (contact sales department for details)
- ◆ Ladder racks storage system
- ◆ Intermediate Shelf
- ◆ Stainless steel back cover
- ◆ 6" height adjustable casters (4). Two (2) with brakes
- ◆ Curb base

Optional Racks and Ladder Supports



Model number as shown HCD36





| Model | Description | Approx SHP WT | Width (W) | A (inch) |
|--------|-----------------------|---------------|-----------|----------|
| HC__12 | 12" wide Cabinet Base | 50 | 12" | 46.22 |
| HC__18 | 18" wide Cabinet Base | 80 | 18" | 52.22 |
| HC__24 | 24" wide Cabinet Base | 100 | 24" | 58.22 |
| HC__30 | 30" wide Cabinet Base | 125 | 30" | 49.22 |
| HC__36 | 36" wide Cabinet Base | 150 | 36" | 52.22 |
| HC__48 | 48" wide Cabinet Base | 200 | 48" | 58.22 |

B= Open Cabinet Base
 DL = Cabinet Base with single left-handed Door (12", 18" and 24" models)
 DR = Cabinet Base with single right-handed Door (12", 18 and 24" models)
 D = Cabinet Base with double Doors (30", 36", and 48" models)
 R = Cabinet Base with drawer

ELECTRICAL : No electrical requirement

GAS : No gas requirement

VENTILATION : No ventilation requirement.



Note: Hestan Commercial products are not approved or recommended for residential use. Hestan Commercial Corporation reserves the right to change materials and specifications without notice. Specify type of gas when ordering. Specify altitude when above 2,000 ft.