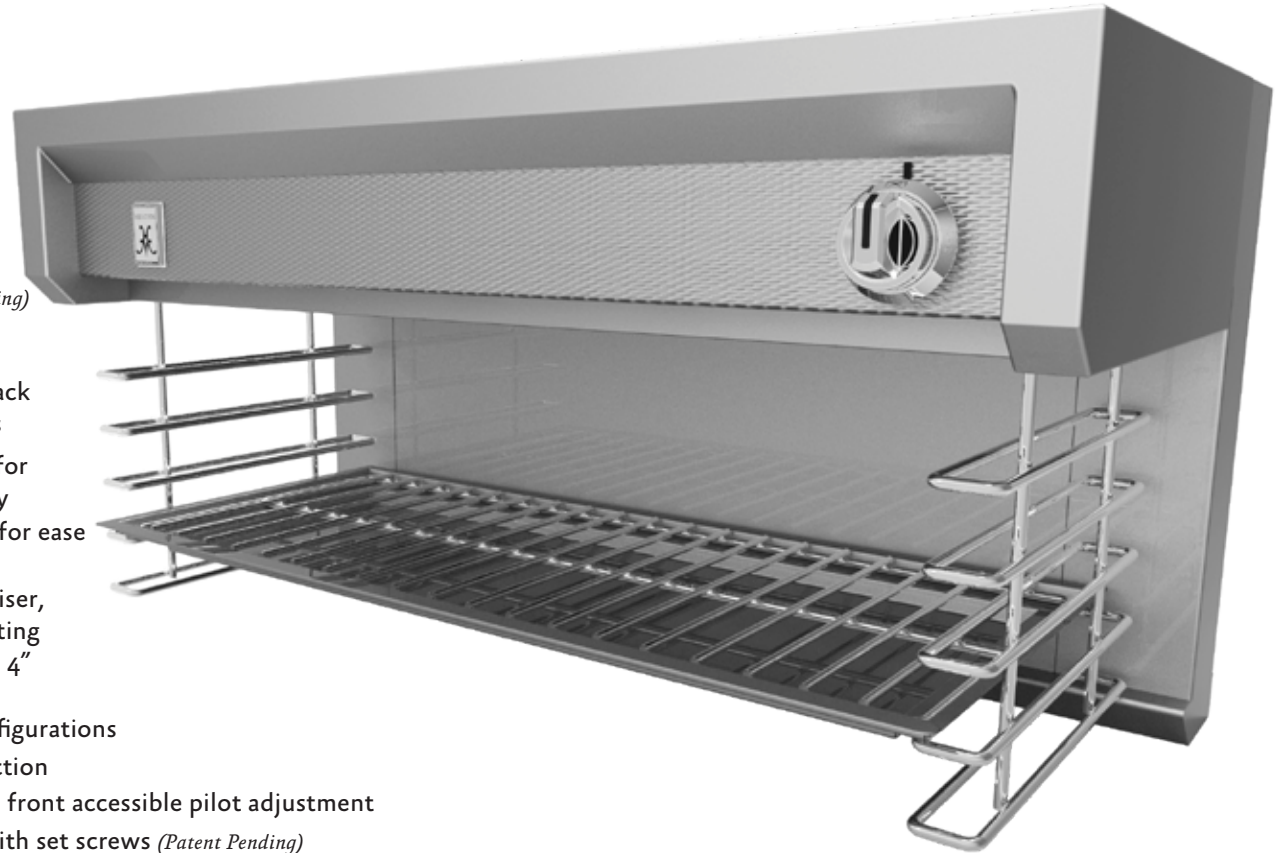


## STANDARD FEATURES

 HESTAN

CHEESEMELTER

- ◆ Unique wide-open chassis design for maximum visibility from all directions
- ◆ Heavy duty gas-powered infrared burner, up to 30,000 Btu/hour, with intense and efficient infrared heat
- ◆ Heavy duty Inconel burner screens with optimum combustion efficiency, durability, and flame stability
- ◆ Tilted burner design for heat deflection and rear flue system to direct heat away from the user and controls
- ◆ Durable attachment design to allow complete horizontal movement of the broiler along the length of the riser (*Patent Pending*)



Infrared Inconel Screen Burner



Optional Side Shields



Drip Tray



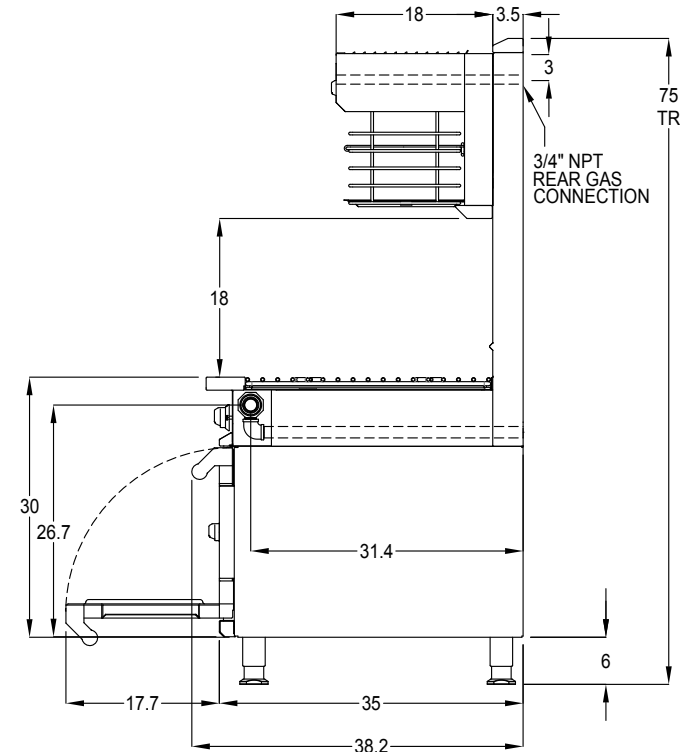
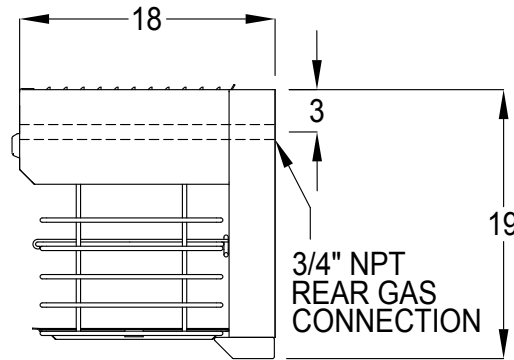
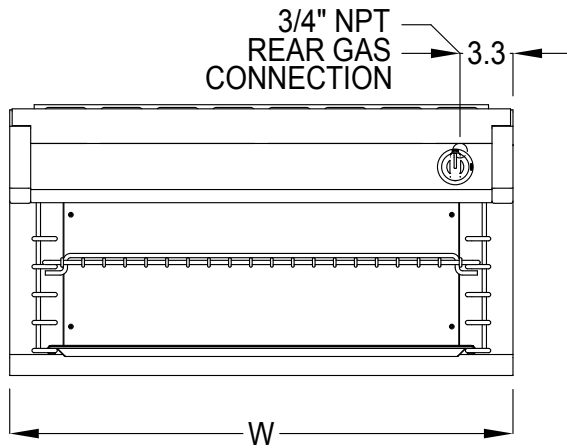
- ◆ Heavy duty nickel plated broiling rack and 5-position ladder rack supports
- ◆ Front mounted ON-OFF gas valve for optimum flame control and stability
- ◆ Removable stainless steel drip tray for ease of cleaning
- ◆ Range mount (R) model with Tall Riser, Wall mount (W) model with mounting bracket, or Counter (C) model with 4" countertop legs
- ◆ Available from 24" to 72" wide configurations
- ◆ Heavy gauge welded body construction
- ◆ Standing pilot ignition system with front accessible pilot adjustment
- ◆ Zamak die cast knobs and bezels with set screws (*Patent Pending*)
- ◆ Stainless steel front, sides, top and bottom
- ◆ 3/4" manifold and rear gas supply connection

## OPTIONS

- ◆ Customizable Marquise accented™ valve panel (*Patent Pending* / contact sales department for available options)
- ◆ Removable side shields (2). Units may be mounted adjacent to one another with 0" side clearance
- ◆ Additional broiling rack

Model number as shown HCMW36





Model	Description	Gas [Btu/HR]	Approx SHP WT	Width (W)
HCM__24	24" Cheesemelter	20,000	100	24"
HCM__30	30" Cheesemelter	20,000	130	30"
HCM__36	36" Cheesemelter	30,000	180	36"
HCM__48	48" Cheesemelter	40,000	220	48"
HCM__54	54" Cheesemelter	40,000	255	54"
HCM__60	60" Cheesemelter	50,000	275	60"
HCM__72	72" Cheesemelter	60,000	320	72"

R = Range mount    W = Wall mount    C = Counter

Note: Hestan Commercial products are not approved or recommended for residential use. Hestan Commercial Corporation reserves the right to change materials and specifications without notice. Specify type of gas when ordering. Specify altitude when above 2,000 ft.

**ELECTRICAL** : No electrical requirement

**GAS** : Minimum gas supply is 7" water column for natural gas and 11" for propane. Operating pressure at the manifold is 5" water column for natural gas and 10" for propane. All units require a regulated gas supply

**VENTILATION** : The product is required to be installed under an exhaust hood.

