

STANDARD FEATURES

- ◆ Modular design to allow maximum flexibility and endless possible configurations
- ◆ Available product offerings :
 - Sealed Burner Rangetops / Hot Plates (*Patent Pending*)
 - Thermostatic Griddles
 - Manual Griddles
 - Charbroilers (*Patent Pending*)
 - Hot Tops
 - French Tops (*Patent Pending*)
 - Plancha

On Stand



Island Trim



4" Legs



COUNTERTOP UNIT



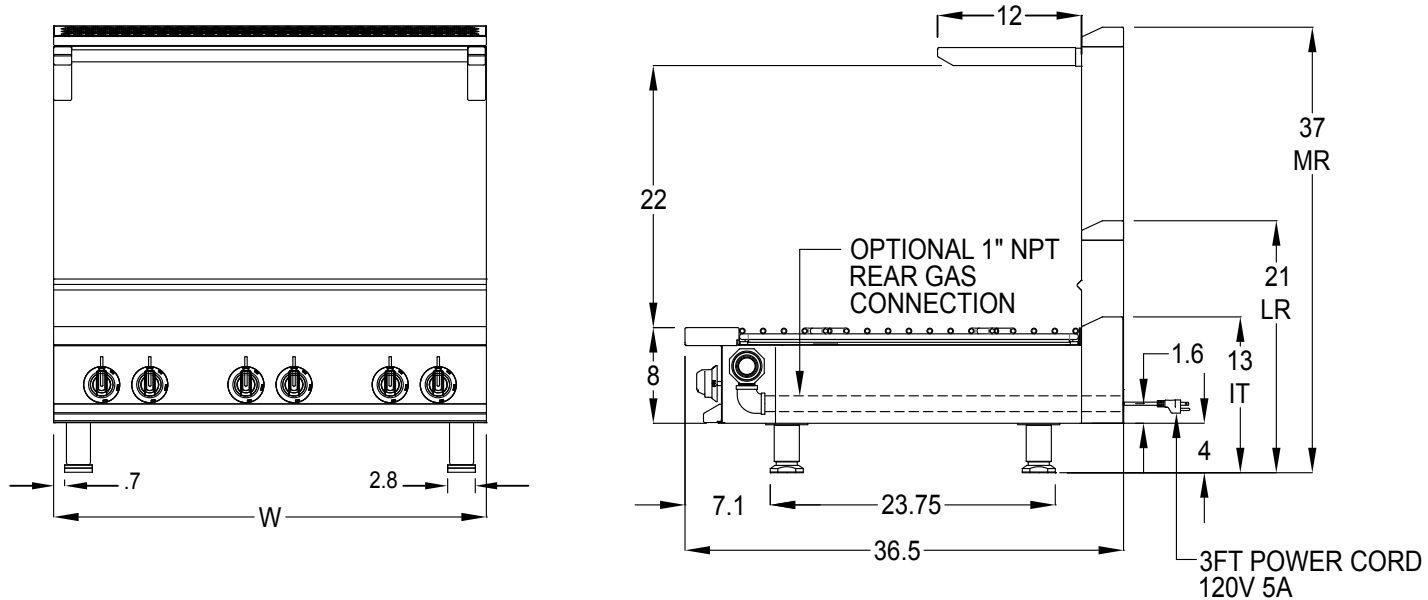
Model number as shown HMB366 and AHCL4



- ◆ Available from 12" to 72" wide configurations
- ◆ Heavy gauge welded body construction
- ◆ Stainless steel drip tray or grease drawer for easy cleaning
- ◆ 1-1/4" front gas manifold
- ◆ Sealed Burner Rangetops / Hot Plates have single point re-ignition direct spark system and modules at each burner position. Flame rectification means igniter will continue to spark until the burner flame is established
- ◆ Other products with standing pilot ignition system with front accessible pilot adjustment
- ◆ Zamak die cast knobs and bezels with set screws (*Patent Pending*)
- ◆ Stainless front, sides, 4.5" plate shelf, and bottom
- ◆ 9" tall Low Riser
- ◆ Counter height (4") legs : quantities of 4, 6, or 8

OPTIONS

- ◆ Customizable Marquise accented™ valve panel (*Patent Pending* / contact sales department for available options)
- ◆ Flame failure safety valves
- ◆ Manifold caps and covers
- ◆ 1" rear gas supply connection
- ◆ Front manifold union connections
- ◆ Stainless steel back cover
- ◆ Common plate shelf up to 108" wide
- ◆ Extended plate shelf (6" or 8")
- ◆ Belly bar with 1" space or extended to accommodate 1/9 condiment pans
- ◆ 4" legs for countertop models
- ◆ Risers : Mid or Island Trim
- ◆ Shelves : single, solid, or tubular



ELECTRICAL : For Sealed Burner Rangetops.
120V, 60Hz, 5A, 1 phase. Other models:
no electrical requirement

GAS : 1-1/4" front manifold, capped or connectable to adjacent equipment. 1" male NPT rear gas connection available. Minimum gas supply is 7" water column for natural gas and 11" for propane. Operating pressure at the manifold is 5" water column for natural gas and 10" for propane. All units require a regulated gas supply.

VENTILATION : The product is required to be installed under an exhaust hood.



Model	Description	Gas [Btu/HR]	Approx SHP WT	Width (W)
-------	-------------	--------------	---------------	-----------

[PLEASE REFER TO SPECIFIC PRODUCT SPEC SHEET FOR DETAILED INFORMATION]

Note: Hestan Commercial products are not approved or recommended for residential use. Hestan Commercial Corporation reserves the right to change materials and specifications without notice. Specify type of gas when ordering. Specify altitude when above 2,000 ft.