

## STANDARD FEATURES

 HESTAN

HOT TOP

- ◆ High performance stainless steel tubular burner up to 40,000 Btu/hour for powerful even heat distribution throughout
- ◆ Heavy duty 3/8" thick steel plate (12" or 18" wide)
- ◆ Available in 12", 18", 24", and 36" wide configurations
- ◆ Stainless steel drip tray for easy cleaning (except 12" model)
- ◆ Heavy gauge welded body construction
- ◆ 1-1/4" front gas manifold
- ◆ Standing pilot ignition system with front accessible pilot adjustment
- ◆ Zamak die cast knobs and bezels with set screws (*Patent Pending*)

Stainless Steel Burner

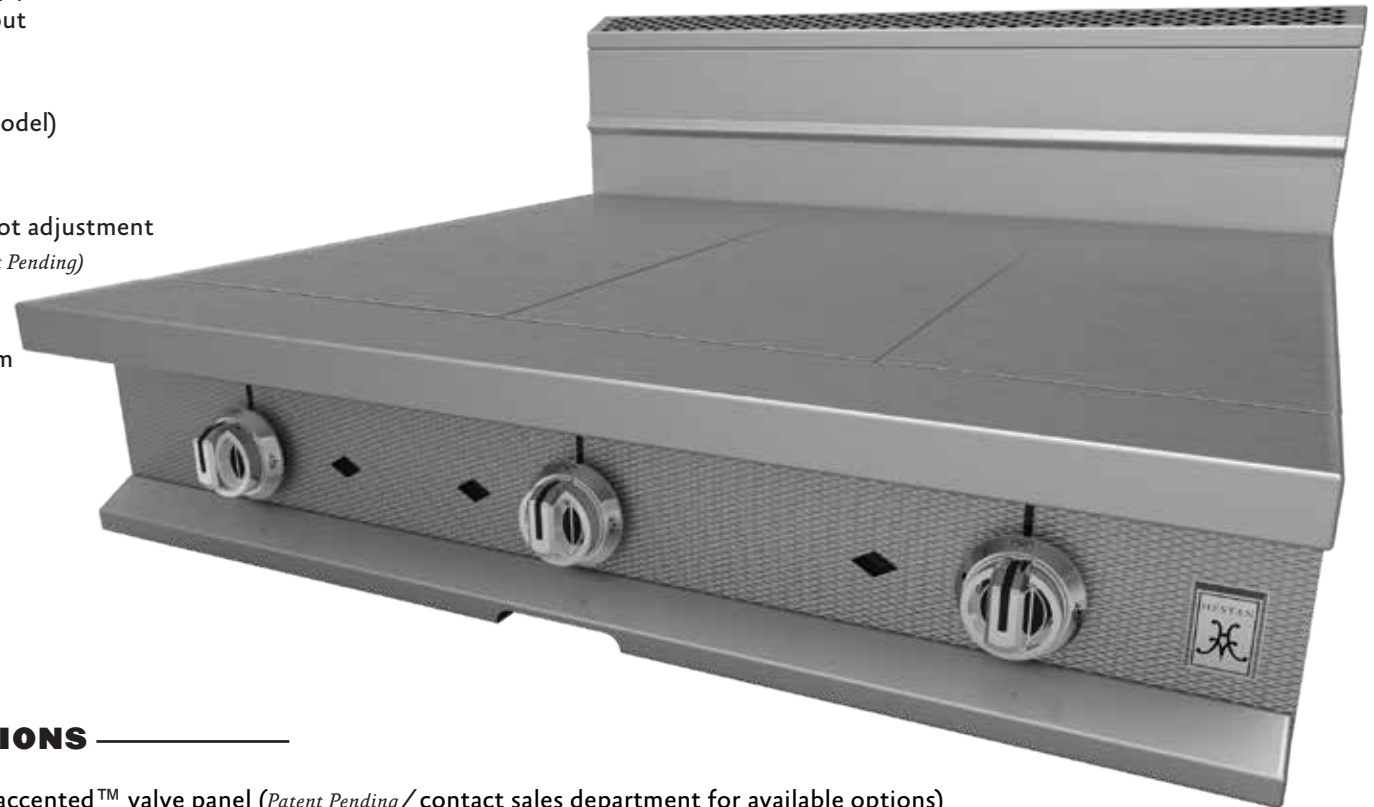


- ◆ Stainless steel front, sides, 4.5" plate shelf, and bottom
- ◆ 9" tall Low Flue Riser

Surface Leveling Adjustment



Drip Tray

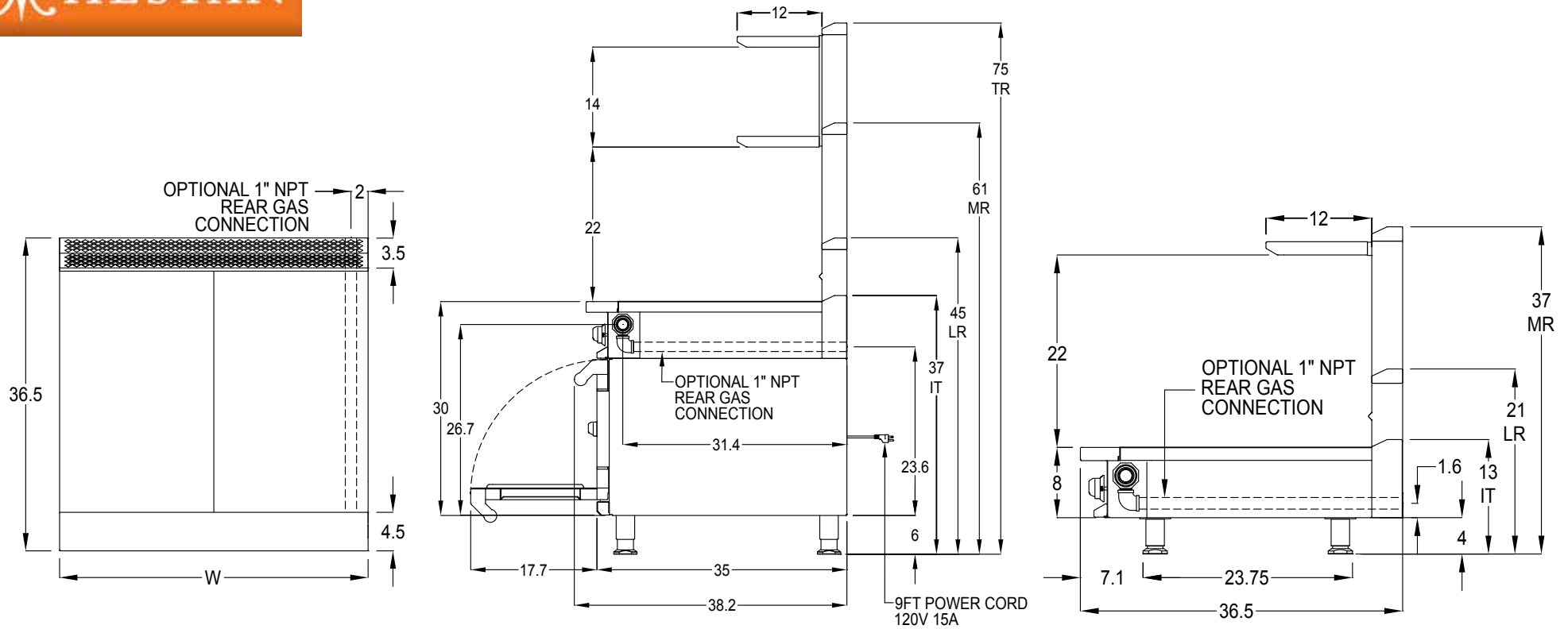


## OPTIONS

- ◆ Customizable Marquise accented™ valve panel (*Patent Pending* / contact sales department for available options)
- ◆ Manifold caps and covers
- ◆ 1" rear gas supply connection
- ◆ Front manifold union connections
- ◆ Stainless steel back cover
- ◆ Common plate shelf up to 108" wide
- ◆ Extended plate shelf (6" or 8")
- ◆ Belly bar with 1" space or extended to accommodate 1/9 condiment pans
- ◆ 4" legs for countertop models
- ◆ Risers: Tall, Mid, or Island Trim
- ◆ Shelves: single or double, solid, tubular or mixed

Model number as shown HHT363





Model	Description	Gas [Btu/HR]	Approx SHP WT	Width (W)
HHT12	12" Hot top	30,000	150	12"
HHT18	18" Hot top	40,000	250	18"
HHT242	24" 2 -Hot tops	60,000	300	24"
HHT362	36" 2 -Hot tops	80,000	420	36"
HHT363	36" 3 -Hot tops	90,000	470	36"

Note: Hestan Commercial products are not approved or recommended for residential use. Hestan Commercial Corporation reserves the right to change materials and specifications without notice. Specify type of gas when ordering. Specify altitude when above 2,000 ft.

**ELECTRICAL** : No electrical requirement

**GAS** : 1-1/4" front manifold, capped or connectable to adjacent equipment. 1" male NPT rear gas connection available (except 12" model). Minimum gas supply is 7" water column for natural gas and 11" for propane. Operating pressure at the manifold is 5" water column for natural gas and 10" for propane. All units require a regulated gas supply.

**VENTILATION** : The product is required to be installed under an exhaust hood.

