

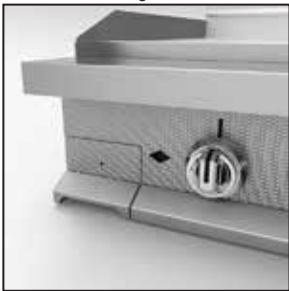
STANDARD FEATURES

 HESTAN

MANUAL GRIDDLE

- ◆ Heavy duty 1" thick Blanchard ground steel griddle plate
- ◆ High performance, top grade stainless steel tubular burner, each up to 25,000Btu/hour, per 12" wide section
- ◆ Each burner manually controlled
- ◆ 2" high stainless steel splash guard(sides and rear)
- ◆ Stainless steel front grease trough
- ◆ Available from 12" to 72" wide configurations
- ◆ Heavy gauge welded body construction
- ◆ Fully enclosed, spill-proof grease drawer for easy cleaning

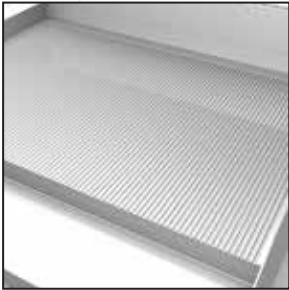
Grease Trough and Drawer



Optional Mirror Finish Plate



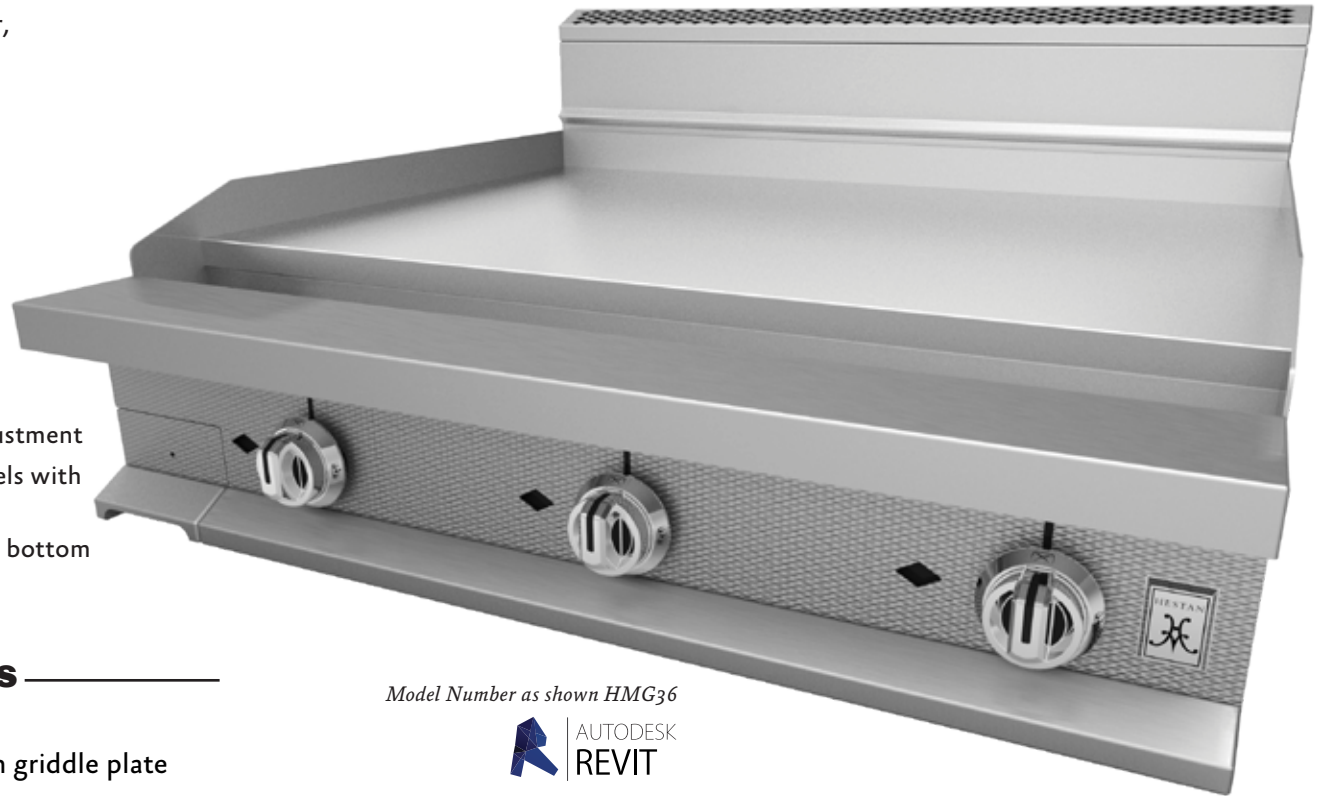
Optional Grooved Plate



- ◆ 1-1/4" front gas manifold
- ◆ Standing pilot ignition system with front accessible pilot adjustment
- ◆ Zamak die cast knobs and bezels with set screw (*Patent Pending*)
- ◆ Stainless steel front, sides, and bottom 4.5" plate shelf
- ◆ 9" tall Low Riser

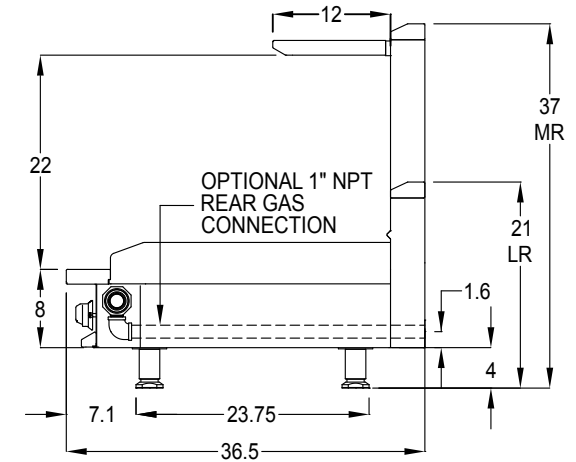
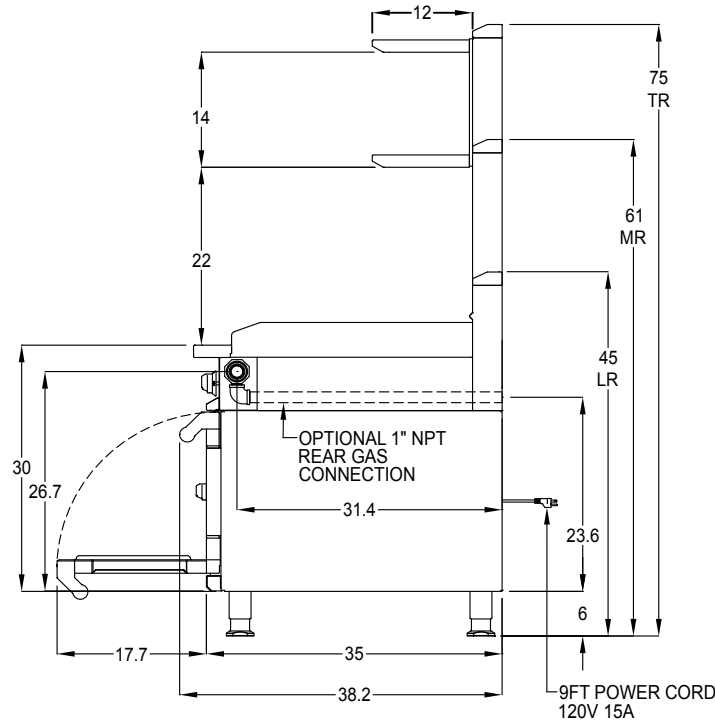
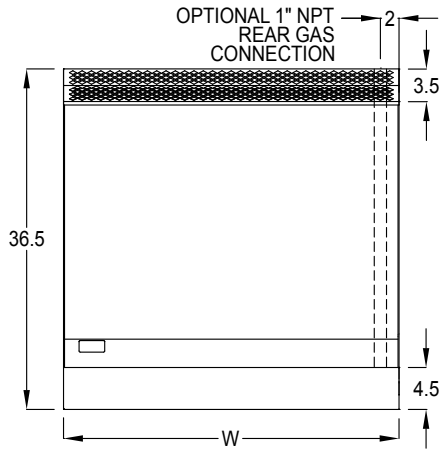
OPTIONS

- ◆ 6" high splash guard
- ◆ Chrome / mirror finish griddle plate
- ◆ Grooved griddle plate
- ◆ Customizable Marquise accented™ valve panel (*Patent Pending* / contact sales department for available options)
- ◆ Manifold caps and covers
- ◆ 1" rear gas supply connection
- ◆ Front manifold union connections
- ◆ Stainless steel back cover
- ◆ Common plate shelf up to 108" wide
- ◆ Extended plate shelf (6" or 8")
- ◆ Belly bar with 1" space or extended to accommodate 1/9 condiment pans
- ◆ 4" legs for countertop models
- ◆ Risers: Tall, Mid, or Island Trim
- ◆ Shelves: single or double, solid, tubular or mixed



Model Number as shown HMG36





Model	Description	Gas [Btu/HR]	Approx SHP WT	Width (W)
HMG 12	12" Manual Griddle	16,500	150	12"
HMG18	18" Manual Griddle	25,000	200	18"
HMG24	24" Manual Griddle	50,000	275	24"
HMG30	30" Manual Griddle	62,500	300	30"
HMG36	36" Manual Griddle	75,000	360	36"
HMG48	48" Manual Griddle	100,000	540	48"
HMG60	60" Manual Griddle	125,000	600	60"
HMG72	72" Manual Griddle	150,000	720	72"

ELECTRICAL : No electrical requirement

GAS : 1-1/4" front manifold, capped or connectable to adjacent equipment. 1" male NPT rear gas connection available. Minimum gas supply is 7" water column for natural gas and 11" for propane. Operating pressure at the manifold is 5" water column for natural gas and 10" for propane. All units require a regulated gas supply.

VENTILATION : The product is required to be installed under an exhaust hood.



Note: Hestan Commercial products are not approved or recommended for residential use. Hestan Commercial Corporation reserves the right to change materials and specifications without notice. Specify type of gas when ordering. Specify altitude when above 2,000 ft.

CONTACT US: www.hestancommercial.com phone 888.905.7463

3375 E. La Palma Ave., Anaheim, CA 92806