

STANDARD FEATURES



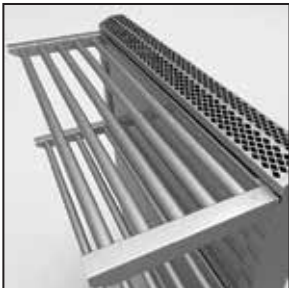
RISERS AND SHELVES

- ◆ Heavy gauge welded body construction
- ◆ Durable attachment design to allow complete horizontal movement of the shelves along the length of the riser (*Patent Pending*)
- ◆ Stainless front and sides
- ◆ Lift-off flue cap for ease of cleaning
- ◆ Mounts to all Hestan rangetop models
- ◆ Available in 4 different heights: Island Trim (IT), Low Riser (LR), Mid Riser (MR), and Tall Riser (TR)
- ◆ Island Trim is ideal for island suite installations to minimize blocking of views

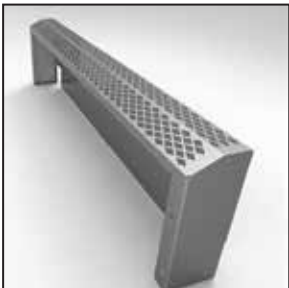
Over Hanging Shelves



Tubular Shelf



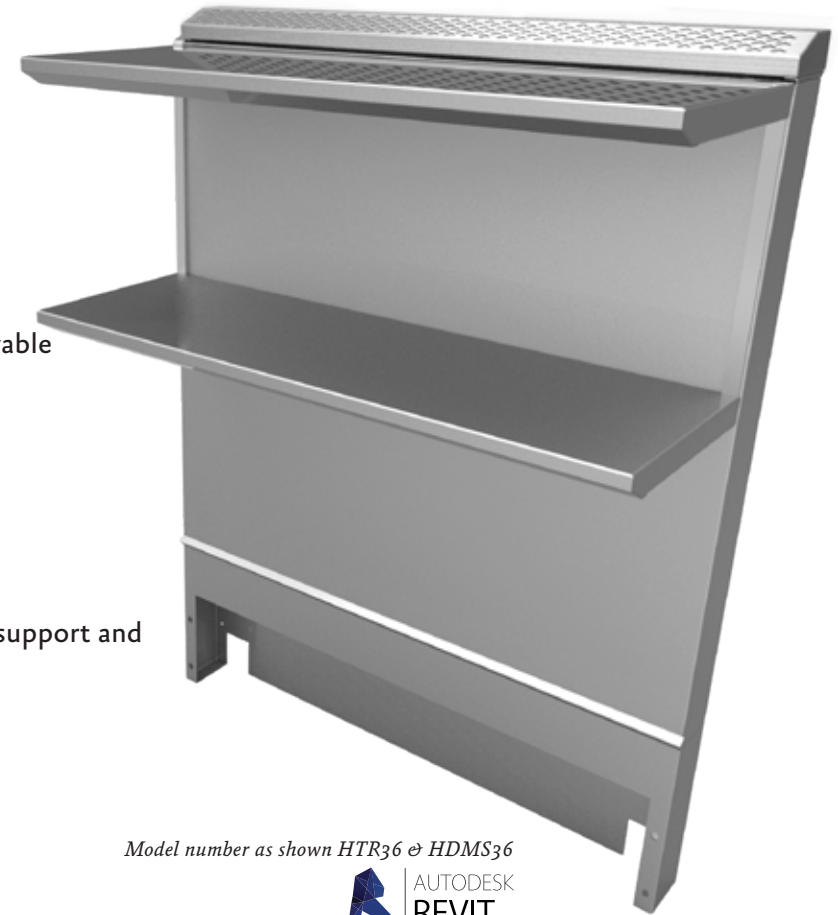
Island Trim



- ◆ Mid Riser and Tall Risers are available with shelves:
 - Heavy duty, stainless steel (solid or tubular) welded removable shelf inserts for ease of cleaning
 - Solid or tubular shelves are interchangeable
 - Fully welded shelf end caps for shelf support
 - Removable shelf end caps for cleaning
 - Ability to place shelves anywhere on the line
- ◆ Tall Risers are available with single or double shelves
- ◆ 22" vertical clearance from closest shelf to cooking surface
- ◆ All risers come standard with horizontal stiffener for maximum support and rigidity
- ◆ Available from 12" to 108" wide standard configurations
- ◆ Standard size of shelves from 12" to 48" wide

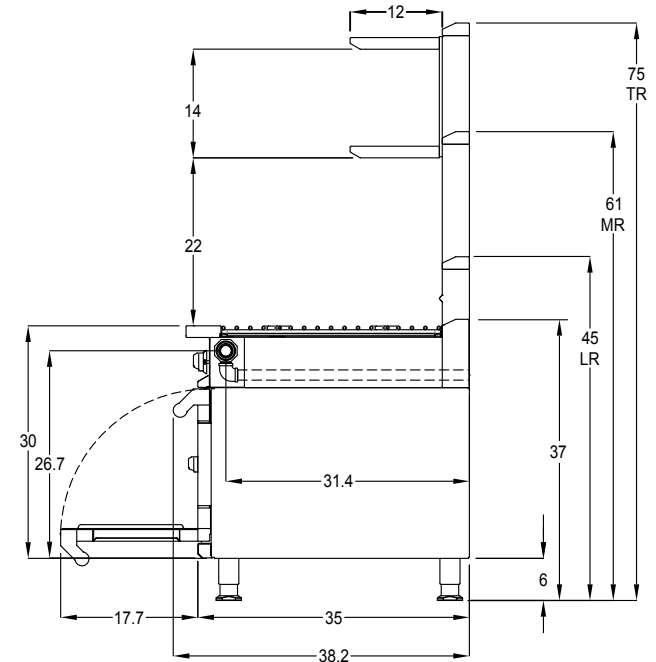
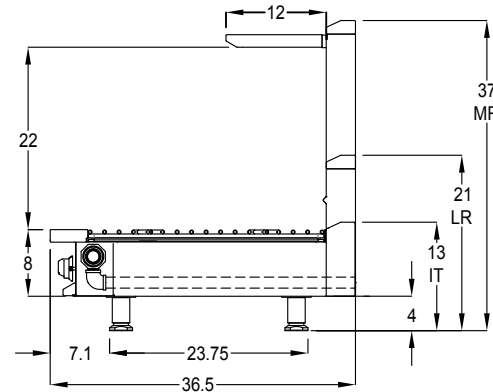
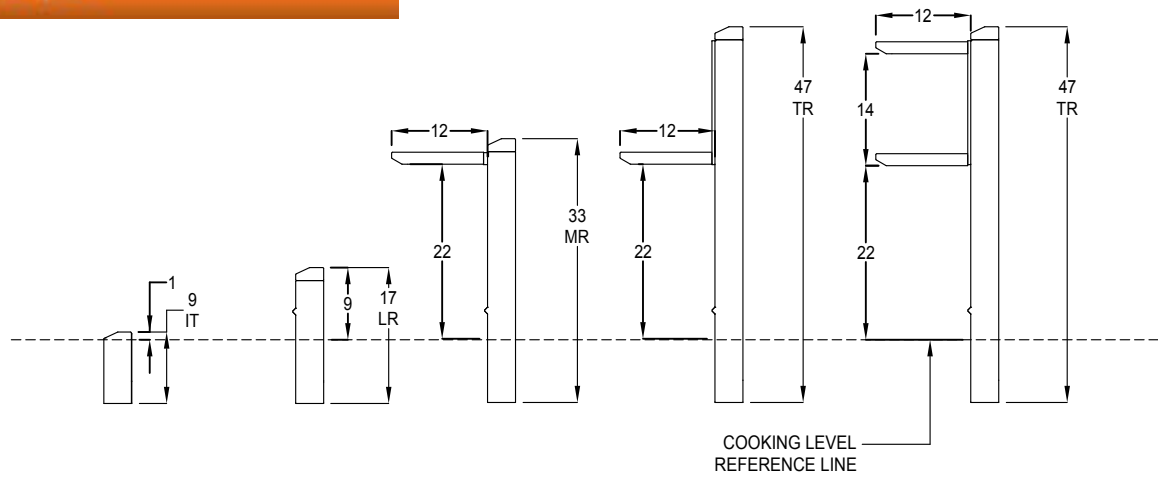
OPTIONS

- ◆ Custom widths of risers and shelves
- ◆ Stainless steel back
- ◆ Pot filler attachment
- ◆ Electrical outlet



Model number as shown HTR36 & HDMS36





Model	Description	Approx SHP WT
H_XX	XX" wide_	TBD
XX = 12, 18, 24, 30, 36, 48, 54, 60, 72, 84, 90, 96, 102, 108		
_ = IT for Island Trim		
LR for Low Riser		
LRF for Low Riser for Fryer		
LRP for Low Riser for Pasta Cooker		
STT	Single Top Tubular Shelf	
STS	Singe Top Solid Shelf	
SBT	Single Bottom Tubular Shelf	
SBS	Single Bottom Solid Shelf	
DTS	Double Tubular Shelves	
DSS	Double Solid Shelves	
DMS	Double Mixed Shelves	

ELECTRICAL : No electrical requirement

GAS : No gas requirement

VENTILATION : No ventilation requirement



Note: Hestan Commercial products are not approved or recommended for residential use. Hestan Commercial Corporation reserves the right to change materials and specifications without notice. Specify type of gas when ordering. Specify altitude when above 2,000 ft.

CONTACT US: www.hestancommercial.com phone 888.905.7463

3375 E. La Palma Ave., Anaheim, CA 92806