

- ◆ Heavy duty modular cabinet bases available in various configurations:
  - Open (CB)
  - With single or double Doors (CD, CDL, CDR)
  - With Drawer (CR)
- ◆ Available from 12" to 48" wide configurations
- ◆ Cabinet bases with door(s): 12", 18", and 24" wide cabinet bases will have single (left-handed or right-handed) door; 30", 36" and 48" wide cabinet bases will have double doors
- ◆ Heavy gauge welded body construction

Cabinet with Intermediate Shelf



- ◆ Stainless steel front, side, and bottom
- ◆ Zamak die cast handle for each door and drawer
- ◆ Drawer models (CR) have a heavy duty full extension drawer slide system which can withstand 100lbs
- ◆ 6" height adjustable legs (4)
- ◆ Heavy duty, concealed hinges with full-overlay doors

With Drawer



Racks are not optional/offered,  
only side ladder supports



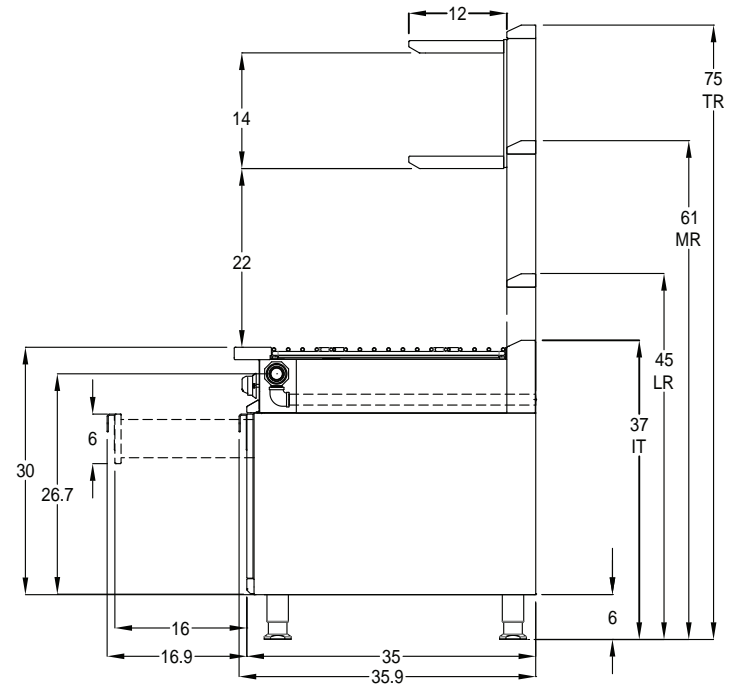
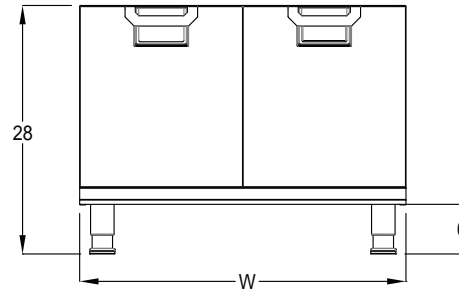
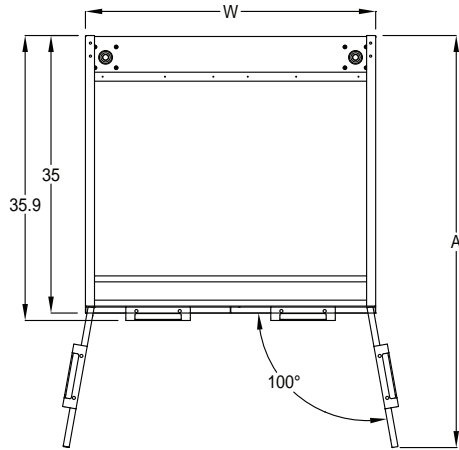
**OPTIONS**

- ◆ Color (contact sales department for available colors)
- ◆ Heated cabinet kit (contact sales department for details)
- ◆ Ladder racks storage system
- ◆ Intermediate Shelf
- ◆ Stainless steel back cover
- ◆ 6" height adjustable casters (4). Two (2) with brakes
- ◆ Curb base



Model number as shown HCD36





Model	Description	Approx SHP WT	Width (W)	A (inch)
HC__12	12" wide Cabinet Base	50	12"	46.22
HC__18	18" wide Cabinet Base	80	18"	52.22
HC__24	24" wide Cabinet Base	100	24"	58.22
HC__30	30" wide Cabinet Base	125	30"	49.22
HC__36	36" wide Cabinet Base	150	36"	52.22
HC__48	48" wide Cabinet Base	200	48"	58.22

B= Open Cabinet Base  
 DL = Cabinet Base with single left-handed Door (12", 18" and 24" models)  
 DR = Cabinet Base with single right-handed Door (12", 18 and 24" models)  
 D = Cabinet Base with double Doors (30", 36", and 48" models)  
 R = Cabinet Base with drawer

**ELECTRICAL** : No electrical requirement  
**GAS** : No gas requirement  
**VENTILATION** : No ventilation requirement.



*Note: Hestan Commercial products are not approved or recommended for residential use. Hestan Commercial Corporation reserves the right to change materials and specifications without notice.*