

## STANDARD FEATURES

 HESTAN

PLANCHA

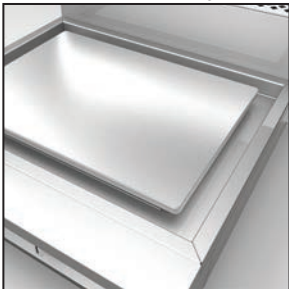
- ◆ Heavy duty 3/4" thick steel Plancha plate with Blanchard grind finish
- ◆ High performance 1 piece cast iron burner at 30,000 Btu/hour for maximum plate temperature
- ◆ Each burner manually controlled
- ◆ Stainless steel 4-sided grease trough with diverter system for easy cleaning
- ◆ Under-plate flue system for island installation
- ◆ Available from 18" to 36" wide configurations
- ◆ Heavy gauge welded body construction
- ◆ Stainless steel grease drawer for easy cleaning

Cast Iron Lift Off Burner

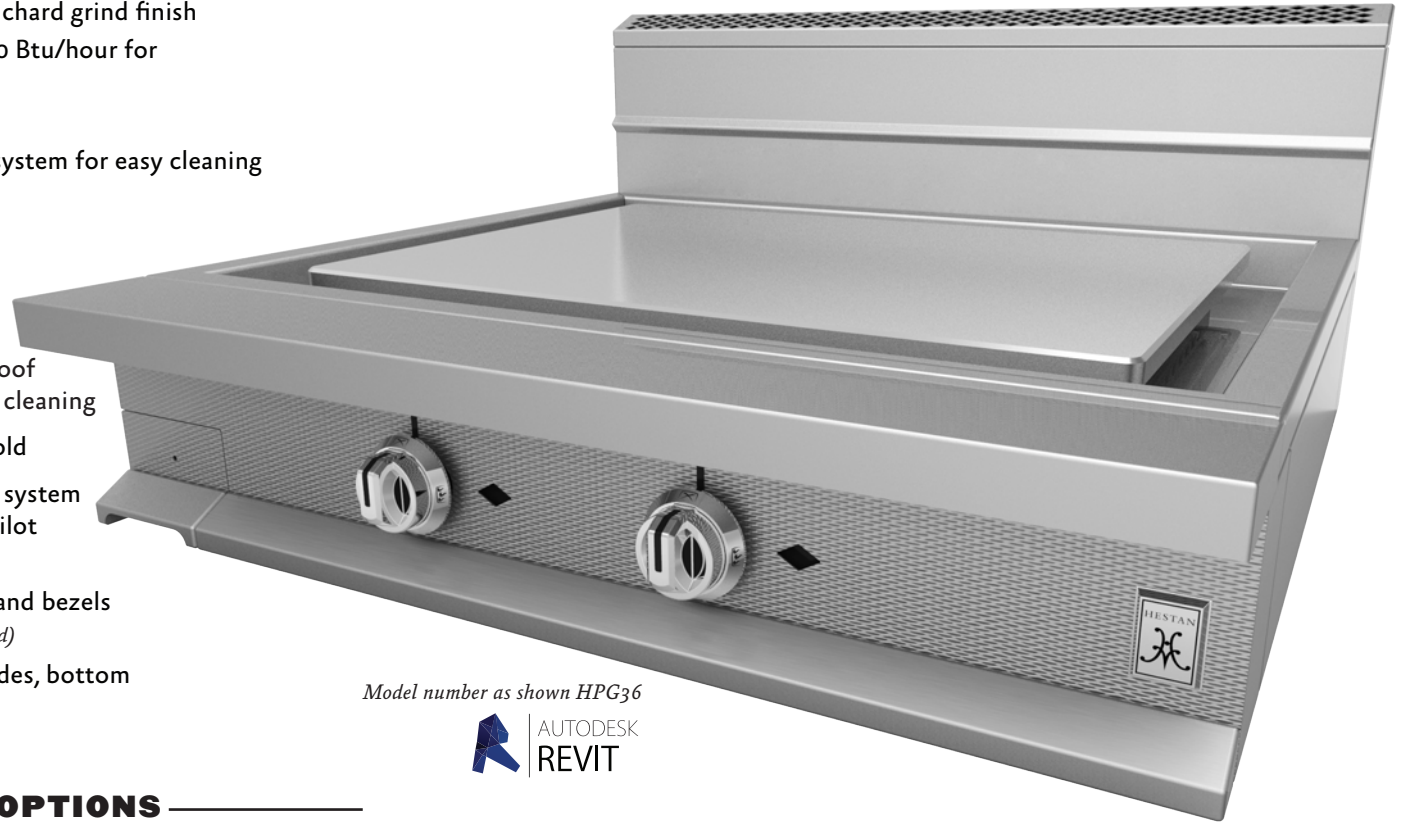
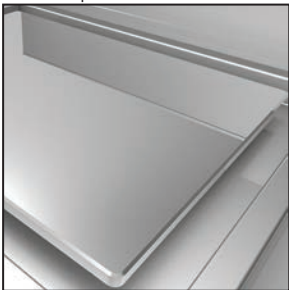


- ◆ Fully enclosed, spill-proof grease drawer for easy cleaning
- ◆ 1-1/4" front gas manifold
- ◆ Standing pilot ignition system with front accessible pilot adjustment
- ◆ Zamak die cast knobs and bezels with set screws (*Patented*)
- ◆ Stainless steel front, sides, bottom and 4.5" plate shelf
- ◆ 9" tall Low Riser

4-Sided Grease Trough



Optional Mirror Finish

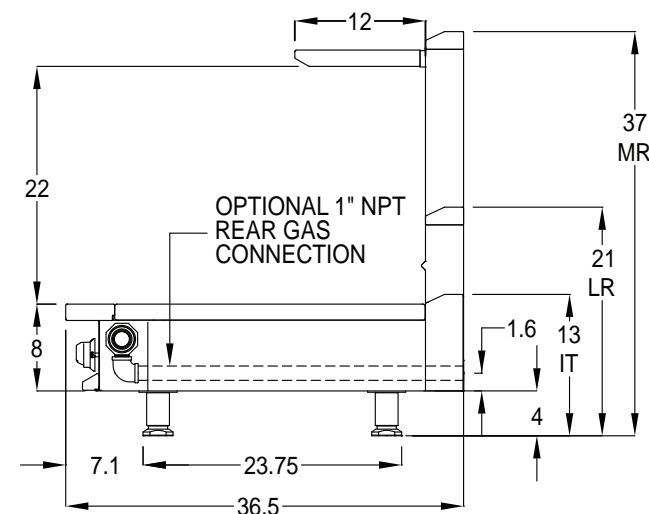
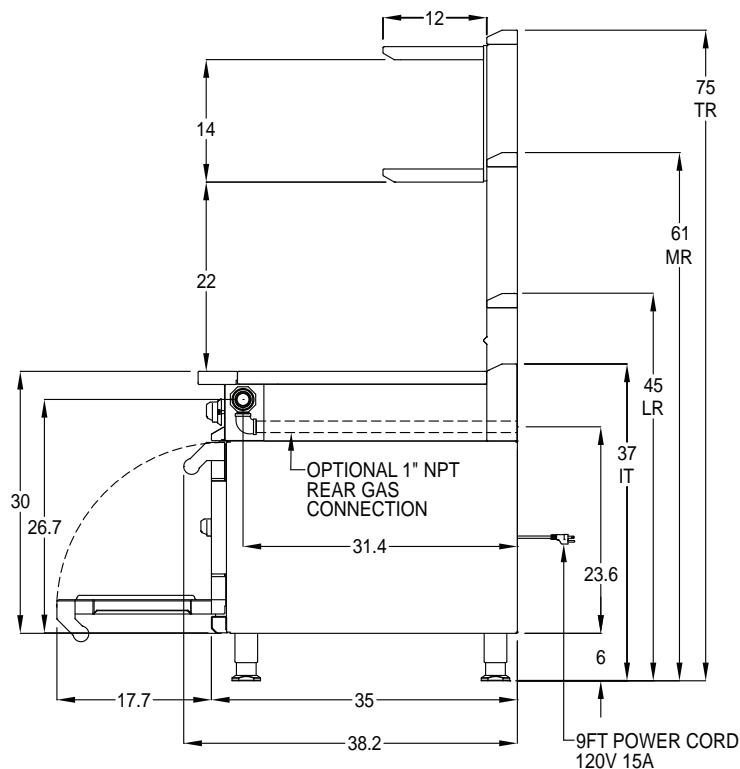
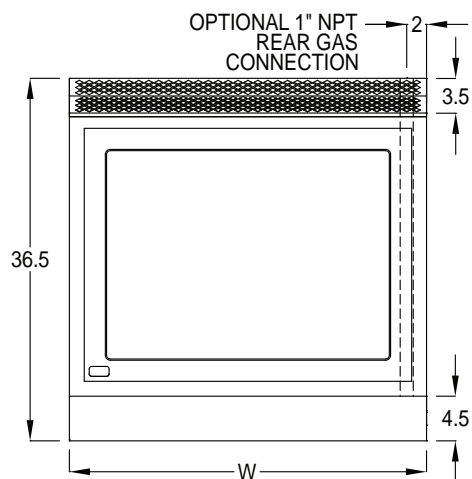


Model number as shown HPG36



## OPTIONS

- ◆ Chrome/Mirror finish Plancha plate
- ◆ Customizable Marquise accented™ valve panel (*Patented* / contact sales department for available options)
- ◆ Manifold caps and covers
- ◆ 1" rear gas supply connection
- ◆ Front manifold union connections
- ◆ Stainless steel back cover
- ◆ Common plate shelf up to 108" wide
- ◆ Extended plate shelf (6" or 8")
- ◆ Belly bar with 1" space or extended to accommodate 1/9 condiment pans
- ◆ 4" legs for countertop models
- ◆ Risers: Tall, Mid, or Island Trim
- ◆ Shelves: single or double, solid, tubular, or mixed



Model	Description	Gas [Btu/HR]	Approx SHP WT	Width (W)
HPG18	18" Plancha Rangetop	30,000	200	18"
HPG24	24" Plancha Rangetop	30,000	280	24"
HPG30	30" Plancha Rangetop	30,000	320	30"
HPG36	36" Plancha Rangetop	60,000	360	36"

Note: Hestan Commercial products are not approved or recommended for residential use. Hestan Commercial Corporation reserves the right to change materials and specifications without notice. Specify type of gas when ordering. Specify altitude when above 2,000 ft.

**ELECTRICAL** : No electrical requirement

**GAS** : 1-1/4" front manifold, capped or connectable to adjacent equipment. 1" male NPT rear gas connection available. Minimum gas supply is 7" water column for natural gas and 11" for propane. Operating pressure at the manifold is 5" water column for natural gas and 10" for propane. All units require a regulated gas supply.

**VENTILATION** : The product is required to be installed the exhaust hood



**CONTACT US:** [www.hestancommercial.com](http://www.hestancommercial.com)

phone 888.905.7463

3375 E. La Palma Ave., Anaheim, CA 92806