

STANDARD FEATURES



48" FREESTANDING RANGE

- ◆ The 48" HestanChef Range Series™ is available in a number of configurations and consists of a 48" rangetop and 36" oven, plus a 12" cabinet base (plus 6" legs, casters or curb base)
- ◆ Please refer to each specific product spec sheet for detailed product information
- ◆ Any of the following rangetops (or combinations) can be used to configure a Freestanding Range :

- Sealed Burner Rangetops
- Hot Tops
- French Tops
- Manual Griddles
- Thermostatic Griddles
- Charbroilers
- Planchas
- Work Tops
- Open Burner
- Split Tops
- Step Ups

- ◆ Any of the following bases can be used to configure a Freestanding Range :

- Standard Ovens
- Convection Ovens
- Cabinet Bases
- Refrigerated Bases
- Freezer Bases

- ◆ A range-mount broiler can be added (except over a charbroiler) :
- Range-mount Salamander
- Range-mount Cheesemelter

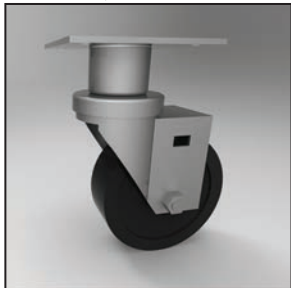
- ◆ 1-1/4" front gas manifold
- ◆ Heavy gauge welded body construction
- ◆ Zamak die cast knobs and bezels with set screws (Patented)
- ◆ Stainless front, sides, 4.5" plate shelf, and bottom
- ◆ Oven or cabinet base may be configured left to right or right to left based on customer specifications
- ◆ 6" height adjustable legs (4) ◆ 9" tall LowRiser



Model number as shown
 HSB36 and HSB12 Rangetop with HCO36 Convection oven
 with HCB12 Cabinet Base



Range Mount Salamander



Adjustable Casters



Colors Available

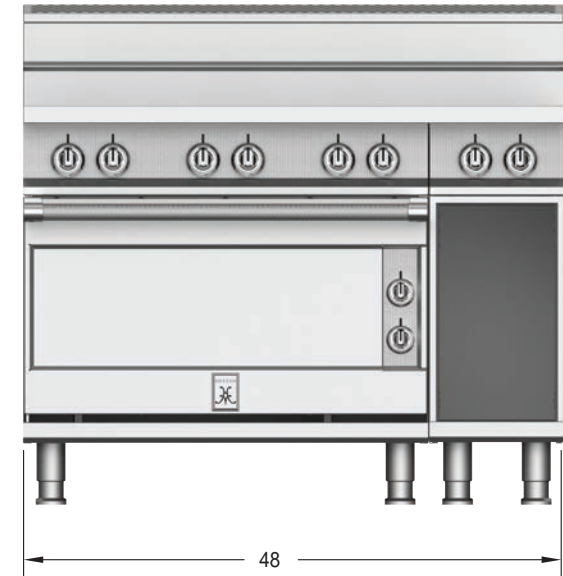
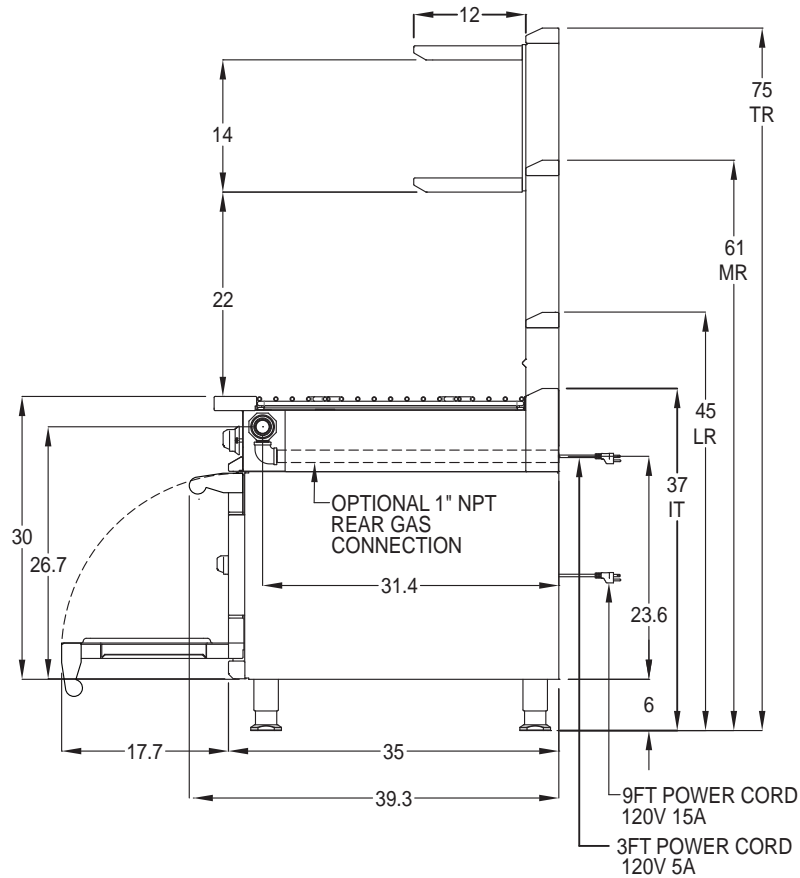
OPTIONS

- ◆ Colors (contact sales department for available colors)
- ◆ Customizable Marquise Accented™ valve panel (patented/ contact sales department for available options)
- ◆ Manifold caps and covers
- ◆ 1" rear gas supply connection
- ◆ Front manifold union connections
- ◆ Stainless steel back cover
- ◆ Common plate shelf up to 108" wide
- ◆ Extended plate shelf (6" or 8")
- ◆ Belly bar with 1" space or extended to accommodate 1/9 condiment pans
- ◆ Risers : Tall, Mid, or Island Trim
- ◆ Shelves : single or double, solid, tubular or mixed
- ◆ 6" height adjustable casters (4). Two (2) with brakes
- ◆ Curb base





48" FREESTANDING RANGE



ELECTRICAL : No electrical requirements except : With sealed burner rangetops with spark ignition, standard oven bases with spark ignition, convection ovens, refrigerated bases, or freezer bases : 120V, 60Hz, 15A, 1 phase.

GAS : 1-1/4" front manifold, capped or connectable to adjacent equipment. 1" male NPT rear gas connection available. Minimum gas supply is 7" water column for natural gas and 11" for propane. Operating pressure at the manifold is 5" water column for natural gas and 10" for propane. All units require a regulated gas supply.

VENTILATION : The product is required to be installed under an exhaust hood.



Model	Description	Gas [Btu/HR]	Approx SHP WT	Width (W)
-------	-------------	--------------	---------------	-----------

[PLEASE REFER TO SPECIFIC PRODUCT SPEC SHEET FOR DETAILED INFORMATION]

Note: Hestan Commercial products are not approved or recommended for residential use. Hestan Commercial Corporation reserves the right to change materials and specifications without notice. Specify type of gas when ordering. Specify altitude when above 2,000 ft.

CONTACT US: www.hestancommercial.com

phone 888.905.7463

3375 E. La Palma Ave., Anaheim, CA 92806