



Commercial Service Parts

CHEESEMELTER - PT. 1

APPLICABLE MODELS:

-HCM_24

-HCM_30

-HCM_36

_ = (C,R,W)

Hestan Commercial Corporation

3375 E. La Palma Ave.

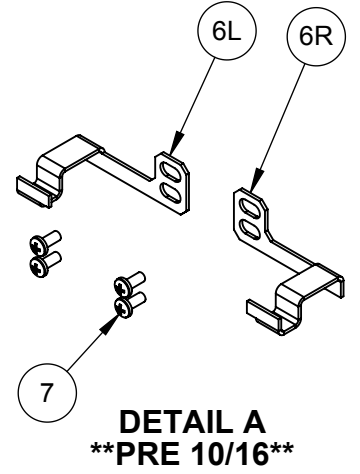
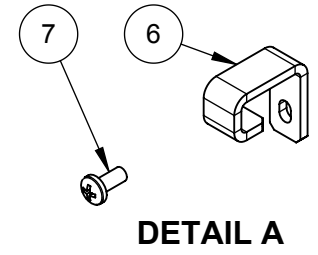
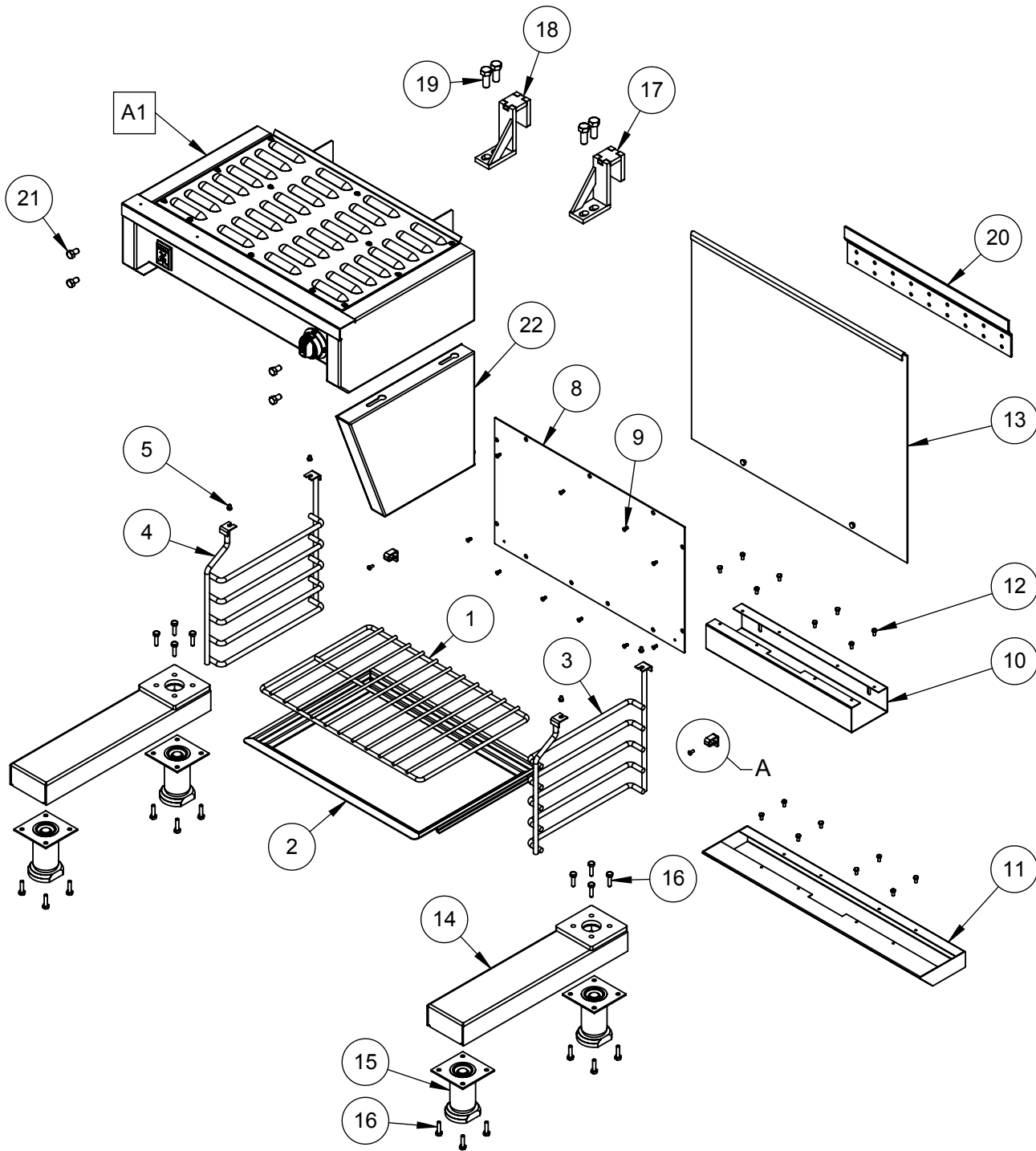
Anaheim, CA 92806

(888) 905-7463

RETAIN THIS FOR FUTURE REFERENCE

Revised: Jun. 18, 2020

Rev. B01



HESTAN

**SERVICE PARTS,
 CHEESEMELTER**

DESCRIPTION
 DRAWING NO **HCMXXX-SERVICE**

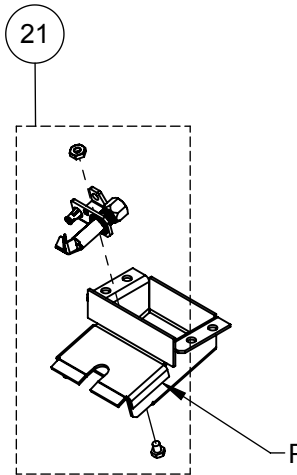
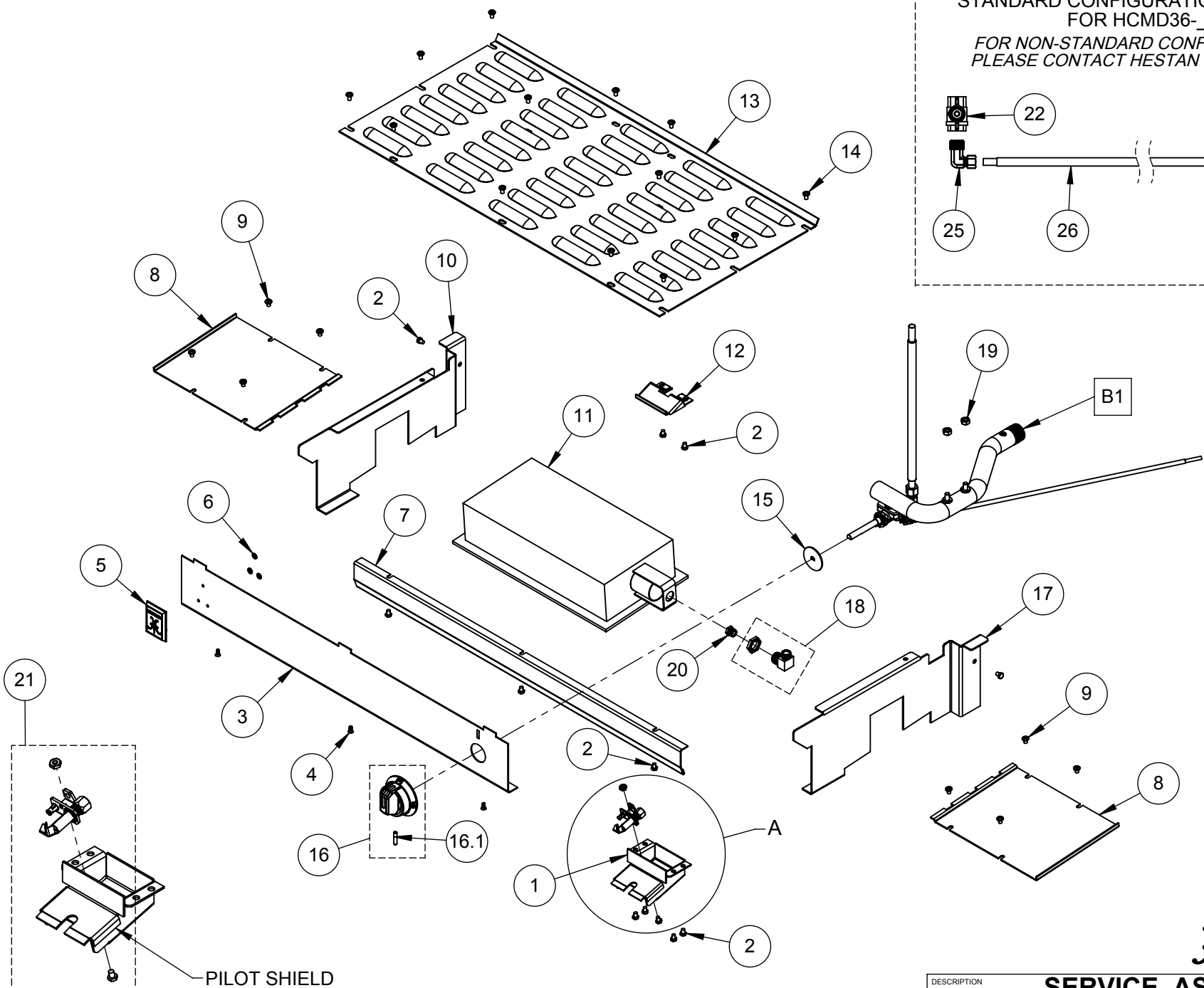
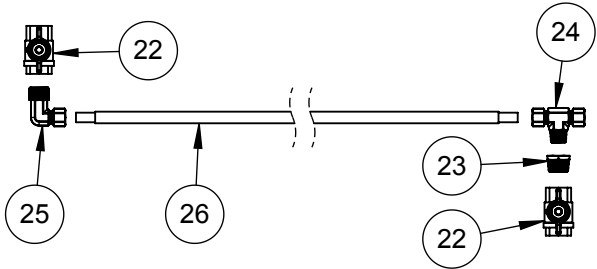
CHEESEMELTER (SINGLE BURNER) - SERVICE PARTS LIST

Item No.	Part No.	DESCRIPTION	HCMC24	HCMR24	HCMW24	HCMC30	HCMR30	HCMW30	HCMC36	HCMR36	HCMW36
			QTY	QTY	QTY	QTY	QTY	QTY	QTY	QTY	QTY
1	002620	RACK, CM, 24"	1	1	1	-	-	-	-	-	-
	008116	RACK, CM, 30"	-	-	-	1	1	1	-	-	-
	000656	RACK, CM, 36"	-	-	-	-	-	-	1	1	1
2	002619	TRAY, DRIP, CM, 24"	1	1	1	-	-	-	-	-	-
	008117	TRAY, DRIP, CM, 30"	-	-	-	1	1	1	-	-	-
	001473	TRAY, DRIP, CM, 36"	-	-	-	-	-	-	1	1	1
3	004253	RACK, LADDER, RH, CHEESEMELTER	1	1	1	1	1	1	1	1	1
4	004312	RACK, LADDER, LH, CHEESEMELTER	1	1	1	1	1	1	1	1	1
5	010237	SERVICE, MS, 10-24 X 1/4, HEXHD, SS, PKG 6	1	1	1	1	1	1	1	1	1
6R	004317	BCKT, RACK, LADDER, RH, CM **PRE 1016**	1	1	1	1	1	1	1	1	1
6L	004813	BCKT, RACK, LADDER, LH, CM **PRE 1016**	1	1	1	1	1	1	1	1	1
6	012608	BCKT, RACK, LADDER, CM	2	2	2	2	2	2	2	2	2
7	011857	SERVICE, MS, 8-32 X .375, PH, PAN, SS, PKG 6	1*	1*	1*	1*	1*	1*	1*	1*	1*
8	002209	PANEL, FRONT, CM, 24" **PRE 1016**	1	1	1	-	-	-	-	-	-
	012889	PANEL, FRONT, CM, VER. 2, 24"	1	1	1	-	-	-	-	-	-
	008861	PANEL, FRONT, CM, 30" **PRE 1016**	-	-	-	1	1	1	-	-	-
	012912	PANEL, FRONT, CM, VER. 2, 30"	-	-	-	1	1	1	-	-	-
	001401	PANEL, FRONT, CM, 36" **PRE 1016**	-	-	-	-	-	-	1	1	1
	012607	PANEL, FRONT, CM, VER. 2, 36"	-	-	-	-	-	-	1	1	1
9	013953	SERVICE, MS, 8-32 X .375, PH, FLT, UC, SS, PKG 12	1	1	1	1	1	1	1	1	1
10	005767	BAR, LOWER, SM/CM, CNTRTOP, 24" **PRE 1016**	1	-	-	-	-	-	-	-	-
	012775	BAR, LOWER, SM/CM, CNTRTOP, VER. 2, 24"	1	-	-	-	-	-	-	-	-
	009168	BAR, LOWER, CM, CNTRTOP, 30" **PRE 1016**	-	-	-	1	-	-	-	-	-
	012913	BAR, LOWER, CM, CNTRTOP, VER. 2, 30"	-	-	-	1	-	-	-	-	-
	003391	BAR, LOWER, SM/CM, CNTRTOP, 36" **PRE 1016**	-	-	-	-	-	-	1	-	-
	011977	BAR, LOWER, SM/CM, CNTRTOP, VER. 2, 36"	-	-	-	-	-	-	1	-	-
11	003273	WELDMENT, BAR, LOWER, SM/CM, 24" **PRE 1016**	-	1	1	-	-	-	-	-	-
	012784	WELDMENT, BAR, LOWER, SM/CM, VER. 2, 24"	-	1	1	-	-	-	-	-	-
	008654	WELDMENT, BAR, LOWER, CM, 30" **PRE 1016**	-	-	-	-	1	1	-	-	-
	012917	WELDMENT, BAR, LOWER, CM, VER. 2, 30"	-	-	-	-	1	1	-	-	-
	001003	WELDMENT, BAR, LOWER, SM/CM, 36" **PRE 1016**	-	-	-	-	-	-	-	1	1
	011890	WELDMENT, BAR, LOWER, SM/CM, VER. 2, 36"	-	-	-	-	-	-	-	1	1
12	013959	SERVICE, MS, 10-24 X .375, HEXHD, ZN, PKG 8	1	1	1	1	1	1	1	1	1
13	005792	PANEL, BACK, SM/CM, 24" **PRE 1016**	1	-	-	-	-	-	-	-	-
	012779	WELDMENT, PANEL, BACK, SM/CM, VER. 2, 24"	1	-	-	-	-	-	-	-	-
	009166	PANEL, BACK, CM, 30" **PRE 1016**	-	-	-	1	-	-	-	-	-
	012916	WELDMENT, PANEL, BACK, CM, VER. 2, 30"	-	-	-	1	-	-	-	-	-

Item No.	Part No.	DESCRIPTION	HCMC24	HCMR24	HCMW24	HCMC30	HCMR30	HCMW30	HCMC36	HCMR36	HCMW36
			QTY	QTY	QTY	QTY	QTY	QTY	QTY	QTY	QTY
	001284	PANEL, BACK, SM/CM, 36" **PRE 1016**	-	-	-	-	-	-	1	-	-
	011979	WELDMENT, PANEL, BACK, SM/CM, VER. 2, 36"	-	-	-	-	-	-	1	-	-
14	004273	WELDMENT, LEG, HORZ, SM/CM **PRE 1016**	2	-	-	2	-	-	2	-	-
	011907	WELDMENT, LEG, HORZ, SM/CM, VER. 2	2	-	-	2	-	-	2	-	-
15	000470	ADJUSTABLE LEG ASSEMBLY, 4"	4	-	-	4	-	-	4	-	-
16	013958	SERVICE, HB, 1/4-20 X 1.0, SS, PKG 8	3	-	-	3	-	-	3	-	-
17	003221	HANGER ASSY, LH, SM/CM	-	1	-	-	1	-	-	1	-
18	003220	HANGER ASSY, RH, SM/CM	-	1	-	-	1	-	-	1	-
19	014181	SERVICE, HB, 1/2-13 X 1.25, ZN, PKG 4	-	1	-	-	1	-	-	1	-
20	009291	BRACKET, WALL, "Z", SM/CM, FOR 24"	-	-	1	-	-	-	-	-	-
	008123	BRACKET, WALL, "Z", CM, 26"	-	-	-	-	-	1	-	-	-
	012006	BRACKET, WALL, "Z", SM/CM, VER. 2, FOR 36"	-	-	-	-	-	-	-	-	1
21	013960	SERVICE, HB, 3/8-16 X .625, ZN, PKG 4	1	1	1	1	1	1	1	1	1
22	014323	SERVICE, SIDE, REMOVABLE, SM/CM	X	X	X	X	X	X	X	X	X

* QTY REQUIRED 2 FOR UNITS BUILT PRE **PRE 1016**

STANDARD CONFIGURATION DEPICTED
 FOR HCMD36-___
 FOR NON-STANDARD CONFIGURATIONS
 PLEASE CONTACT HESTAN FOR DETAILS

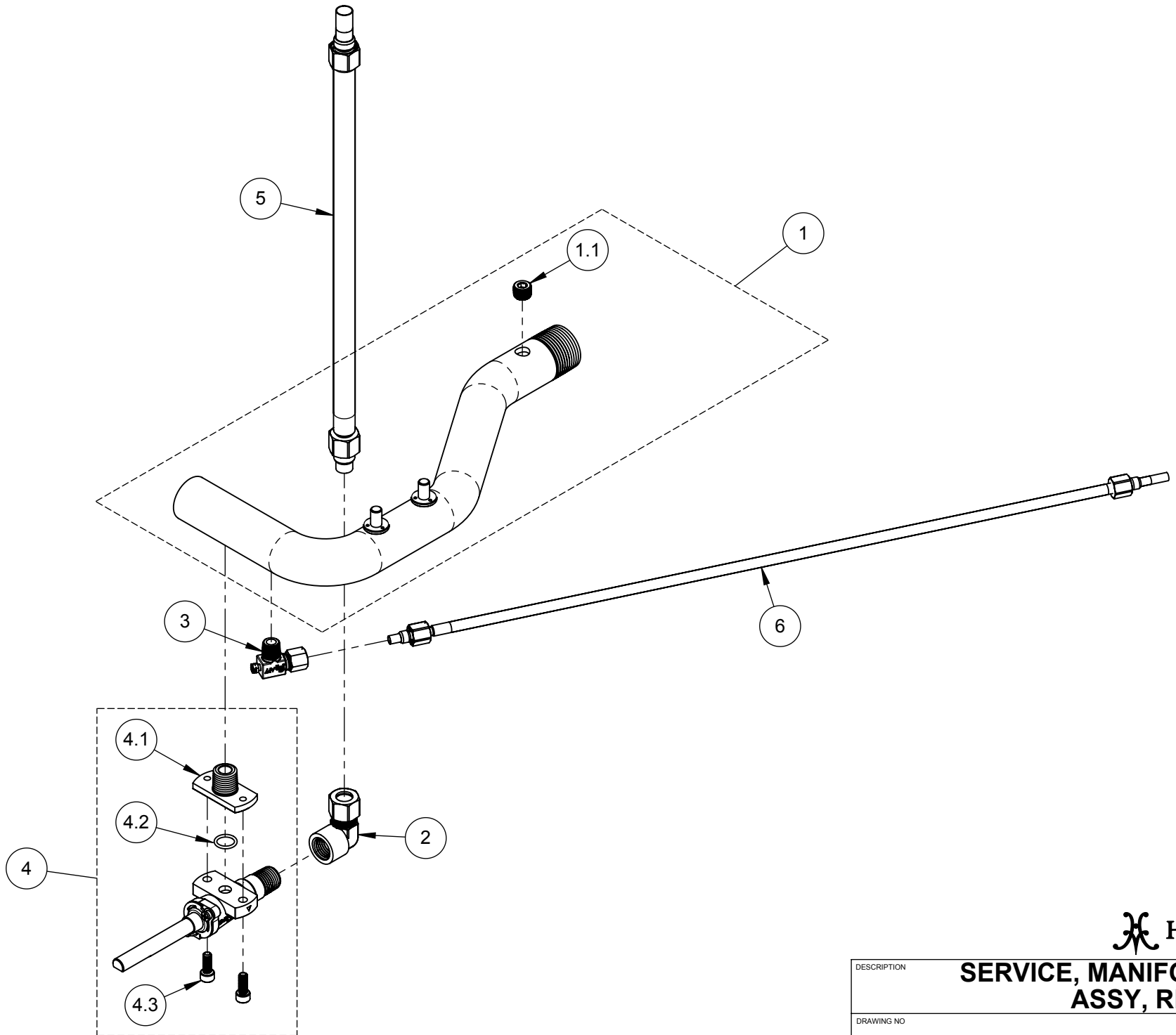


DETAIL A
 PILOT SHIELD SHOWN
 FOR CLARITY



**SERVICE, ASSY, TOP, CM,
 SINGLE BURNER**

DESCRIPTION	A1
DRAWING NO	




HESTAN

**SERVICE, MANIFOLD, GAS
 ASSY, RH, SM/CM**

DESCRIPTION

DRAWING NO

B1

B1 - GAS MANIFOLD ASSEMBLY, RIGHT - CHEESEMELTER

			HCM__
Item No.	Part No.	DESCRIPTION	QTY
1	004122	ASSY, MANIFOLD, RH, SM/CM	1
1.1	000360	PLUG, HEX SOCKET, 1/8" NPT	1
2	002321	ELBOW, ADAPTER, 1/4 NPT FEMALE X 3/8 CC	1
3	000113	VALVE, PILOT, 1/8NPT x 3/16 COMP., ELBOW	1
4	015662	KIT, VALVE, ON-OFF, FLANGE-MOUNT, A23-F	1
4.1	004643	FLANGED NIPPLE, 1/4"NPT	1
4.2	014103	SERVICE, O-RING, FLANGED NIPPLE, PKG 6	1
4.3	012750	SERVICE, SHCS, #10-24 X .500, SS, PKG 6	1
5	005682	HOSE, FLEX, 3/8 OD, 12", F-F, NUT/FERRULE	1
6	005688	HOSE, FLEX, 3/16 OD, 18", F-F, NUT/FERRULE	1