



Commercial Service Parts

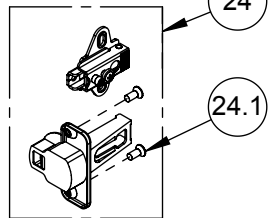
CABINET BASE (HCX)

Hestan Commercial Corporation
3375 E. La Palma Ave.
Anaheim, CA 92806
(888) 905-7463

RETAIN THIS FOR FUTURE REFERENCE

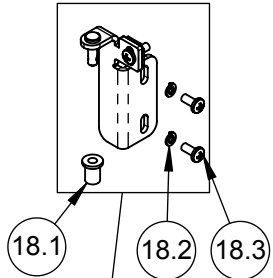
Revised: May 15, 2020

HINGE DETAIL
PRE 11/16

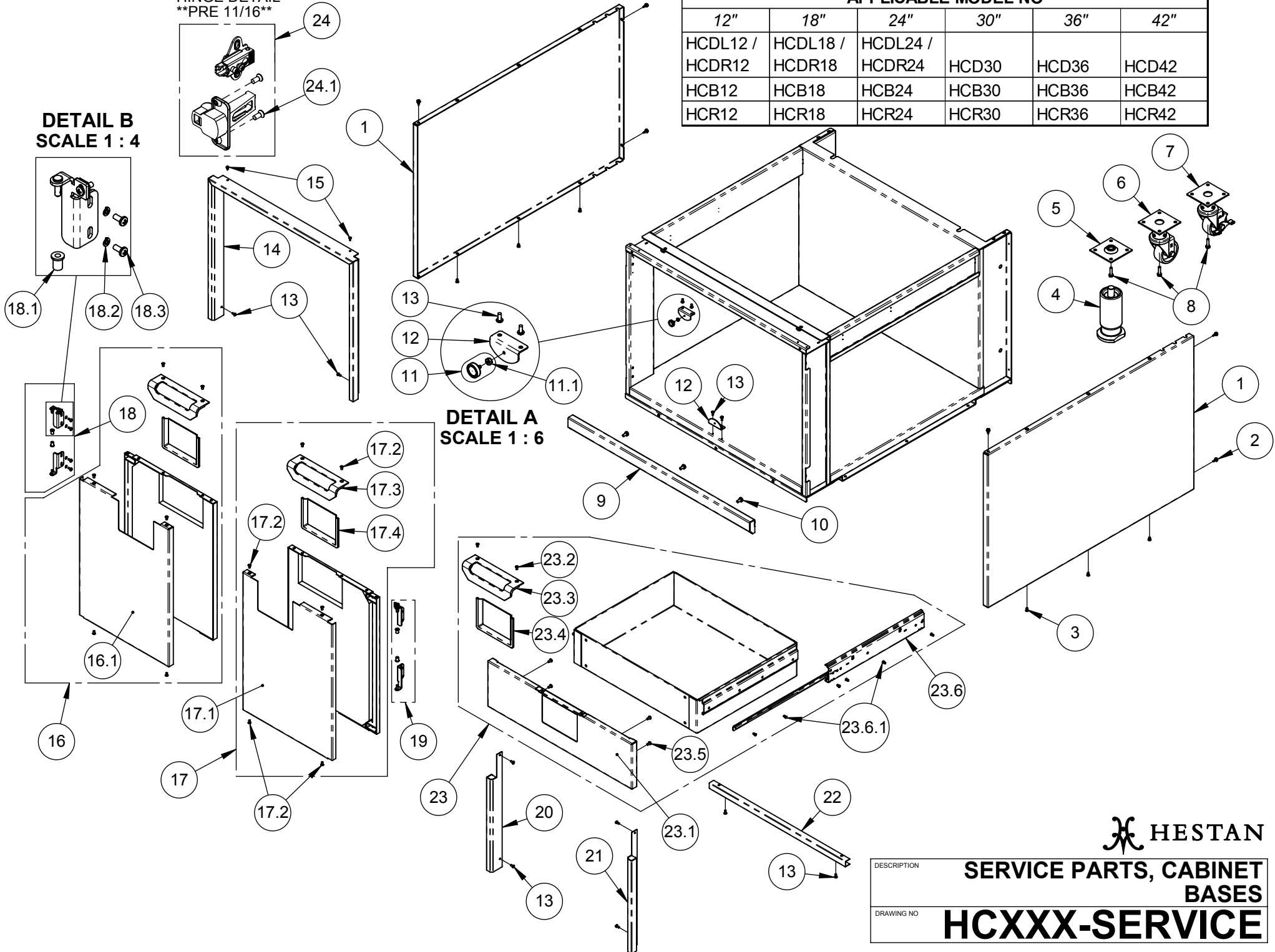
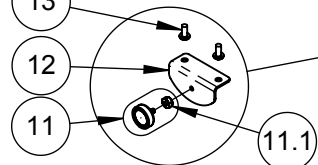


APPLICABLE MODEL NO					
12"	18"	24"	30"	36"	42"
HCDL12 / HCDR12	HCDL18 / HCDR18	HCDL24 / HCDR24	HCD30	HCD36	HCD42
HCB12	HCB18	HCB24	HCB30	HCB36	HCB42
HCR12	HCR18	HCR24	HCR30	HCR36	HCR42

DETAIL B
SCALE 1 : 4



DETAIL A
SCALE 1 : 6



 HESTAN

**SERVICE PARTS, CABINET
BASES**

DESCRIPTION

DRAWING NO

HCXXX-SERVICE

Item No.	Part No.	DESCRIPTION	/																							
			HCDL12	HCDR12	HCDL18	HCDR18	HCDL24	HCDR24	HCD30	HCD36	HCD48	HCB12	HCB18	HCB24	HCB30	HCB36	HCB48	HCR12	HCR18	HCR24	HCR30	HCR36	HCR48			
17.1	015193-018-XX*	FRONT PANEL, DOOR, RH, 18"	-	-	-	1	-	-	-	1	-	-	-	-	-	-	-	-	-	-	-	-	-			
	015193-024-XX*	FRONT PANEL, DOOR, RH, 24"	-	-	-	-	-	1	-	-	1	-	-	-	-	-	-	-	-	-	-	-	-			
17.2	015396	SERVICE, MS, 10-24 X 3/8, PH, FLT, SS, POLY PATCH, PKG 4	1	1	1	1	1	1	1	1	1	-	-	-	-	-	-	-	-	-	-	-				
17.3	002558	HANDLE, CABINET	1	1	1	1	1	1	2	2	2	-	-	-	-	-	-	-	-	-	-	-				
17.4	002616	INSERT, RECESSED, HANDLE, ASSY	1	1	1	1	1	1	2	2	2	-	-	-	-	-	-	-	-	-	-	-				
18	015350	SERVICE, CABINET HINGE, LH, VER. 2, KIT	1	-	1	-	1	-	1	1	1	-	-	-	-	-	-	-	-	-	-	-				
18.1	015352	SERVICE, BEARING, SLEEVE, FLANGED, LUBR., 3/16 X 5/16 X 1/2 LNG, PKG 4	1	1	1	1	1	1	1	1	1	-	-	-	-	-	-	-	-	-	-	-				
18.2	015921	SERVICE, WSH, SPLIT LOCK, #8, SS, PKG 6	1	1	1	1	1	1	1	1	1	-	-	-	-	-	-	-	-	-	-	-				
18.3	011857	SERVICE, MS, 8-32 X .375, PH, PAN, SS, PKG 6	1	1	1	1	1	1	1	1	1	-	-	-	-	-	-	-	-	-	-	-				
19	016231	SERVICE, CABINET HINGE, RH, VER. 2, KIT	-	1	-	1	-	1	1	1	1	-	-	-	-	-	-	-	-	-	-	-				
20	006552-XX	TRIM, DRAWER, LH, WA, **COLOR**	-	-	-	-	-	-	-	-	-	-	-	-	-	-	-	1	1	1	1	1	1			
21	006551-XX	TRIM, DRAWER, RH, WA, **COLOR**	-	-	-	-	-	-	-	-	-	-	-	-	-	-	-	1	1	1	1	1	1			
22	016244-012	TRIM, TOP FRONT, DRAWER CABINET, 12	-	-	-	-	-	-	-	-	-	-	-	-	-	-	-	1	-	-	-	-				
	016244-018	TRIM, TOP FRONT, DRAWER CABINET, 18	-	-	-	-	-	-	-	-	-	-	-	-	-	-	-	-	1	-	-	-				
	016244-024	TRIM, TOP FRONT, DRAWER CABINET, 24	-	-	-	-	-	-	-	-	-	-	-	-	-	-	-	-	-	1	-	-				
	016244-030	TRIM, TOP FRONT, DRAWER CABINET, 30	-	-	-	-	-	-	-	-	-	-	-	-	-	-	-	-	-	-	1	-				
	016244-036	TRIM, TOP FRONT, DRAWER CABINET, 36	-	-	-	-	-	-	-	-	-	-	-	-	-	-	-	-	-	-	-	1	-			
	016244-048	TRIM, TOP FRONT, DRAWER CABINET, 48	-	-	-	-	-	-	-	-	-	-	-	-	-	-	-	-	-	-	-	-	1			
23	015404-012-XX	SERVICE, DRAWER, CABINET, ASSY, 12, **COLOR**	-	-	-	-	-	-	-	-	-	-	-	-	-	-	-	1	-	-	-	-				
	015404-018-XX	SERVICE, DRAWER, CABINET, ASSY, 18, **COLOR**	-	-	-	-	-	-	-	-	-	-	-	-	-	-	-	-	1	-	-	-				
	015404-024-XX	SERVICE, DRAWER, CABINET, ASSY, 24, **COLOR**	-	-	-	-	-	-	-	-	-	-	-	-	-	-	-	-	-	1	-	-				
	015404-030-XX	SERVICE, DRAWER, CABINET, ASSY, 30, **COLOR**	-	-	-	-	-	-	-	-	-	-	-	-	-	-	-	-	-	-	1	-				
	015404-036-XX	SERVICE, DRAWER, CABINET, ASSY, 36, **COLOR**	-	-	-	-	-	-	-	-	-	-	-	-	-	-	-	-	-	-	-	1	-			
	015404-048-XX	SERVICE, DRAWER, CABINET, ASSY, 48, **COLOR**	-	-	-	-	-	-	-	-	-	-	-	-	-	-	-	-	-	-	-	-	1			
23.1	006545-XX	DRAWER FACE, WA, 12, **COLOR**	-	-	-	-	-	-	-	-	-	-	-	-	-	-	-	1	-	-	-	-				
	006546-XX	DRAWER FACE, WA, 18, **COLOR**	-	-	-	-	-	-	-	-	-	-	-	-	-	-	-	-	1	-	-	-				
	006547-XX	DRAWER FACE, WA, 24, **COLOR**	-	-	-	-	-	-	-	-	-	-	-	-	-	-	-	-	-	1	-	-				
	006548-XX	DRAWER FACE, WA, 30, **COLOR**	-	-	-	-	-	-	-	-	-	-	-	-	-	-	-	-	-	-	1	-				
	006549-XX	DRAWER FACE, WA, 36, **COLOR**	-	-	-	-	-	-	-	-	-	-	-	-	-	-	-	-	-	-	-	1	-			
	006550-XX	DRAWER FACE, WA, 48, **COLOR**	-	-	-	-	-	-	-	-	-	-	-	-	-	-	-	-	-	-	-	-	1			
23.2	015396	SERVICE, MS, 10-24 X 3/8, PH, FLT, SS, POLY PATCH, PKG 4	-	-	-	-	-	-	-	-	-	-	-	-	-	-	-	1	1	1	1	1	1			
23.3	002558	HANDLE, CABINET	-	-	-	-	-	-	-	-	-	-	-	-	-	-	-	1	1	1	1	1	1			
23.4	002616	INSERT, RECESSED, HANDLE, ASSY	-	-	-	-	-	-	-	-	-	-	-	-	-	-	-	1	1	1	1	1	1			
23.5	010199	SERVICE, MS, 10-24 X 3/8, PH, PAN, SS, PKG 8	-	-	-	-	-	-	-	-	-	-	-	-	-	-	-	1	1	1	1	1	1			
23.6	015408	SERVICE, SLIDES, CABINET, KIT	-	-	-	-	-	-	-	-	-	-	-	-	-	-	-	1	1	1	1	1	1			
23.6.1	015407	SERVICE, MS, 8-32 X .375, PH, FLT, UC, SS, PKG 6	-	-	-	-	-	-	-	-	-	-	-	-	-	-	-	1	1	1	1	1	1			
24	015345	SERVICE, CABINET HINGE, VER. 1, KIT **PRE 11/16**	1	1	1	1	1	1	2	2	2	-	-	-	-	-	-	-	-	-	-	-				
24.1	011702	SERVICE, MS, 8-32 X .375, PH, FLT, SS, PKG 8	1	1	1	1	1	1	1	1	1	-	-	-	-	-	-	-	-	-	-	-				

*Consult with factory regarding replacements for doors with center-mounted handles (old ver.)