



Commercial Service Parts

GRIDDLE (HMG)

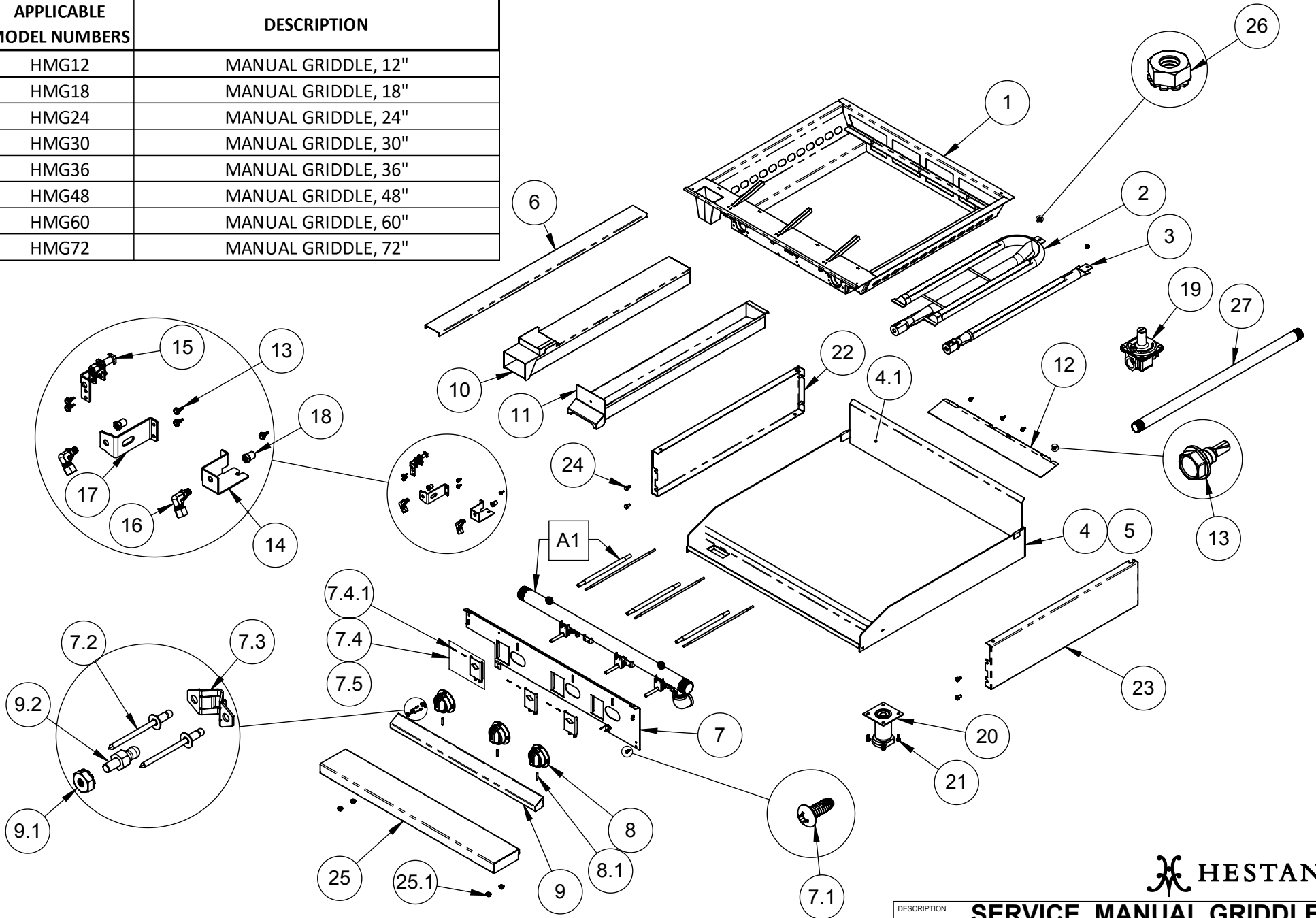
Hestan Commercial Corporation
3375 E. La Palma Ave.
Anaheim, CA 92806
(888) 905-7463

RETAIN THIS FOR FUTURE REFERENCE

Revised: May 15, 2020

REPLACEMENT PARTS - HESTAN MANUAL GRIDDLE

APPLICABLE MODEL NUMBERS	DESCRIPTION
HMG12	MANUAL GRIDDLE, 12"
HMG18	MANUAL GRIDDLE, 18"
HMG24	MANUAL GRIDDLE, 24"
HMG30	MANUAL GRIDDLE, 30"
HMG36	MANUAL GRIDDLE, 36"
HMG48	MANUAL GRIDDLE, 48"
HMG60	MANUAL GRIDDLE, 60"
HMG72	MANUAL GRIDDLE, 72"



HESTAN

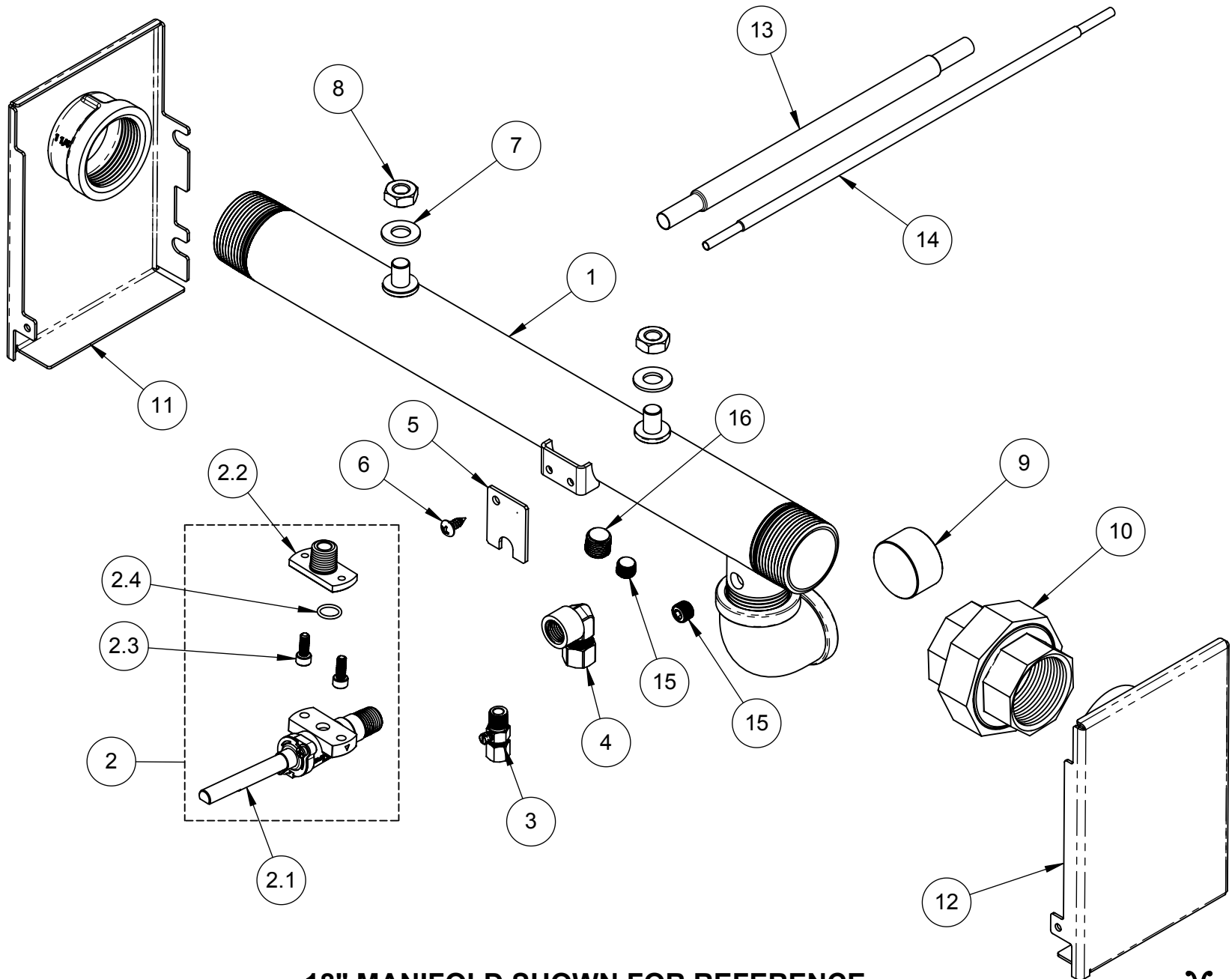
DESCRIPTION **SERVICE, MANUAL GRIDDLE**
 DRAWING NO **HMGXX-SERVICE**

GRIDDLE (MANUAL) - SERVICE PARTS LIST

Item No.	Part No.	DESCRIPTION	HMG12	HMG18	HMG24	HMG30	HMG36	HMG48	HMG60	HMG72
			QTY	QTY	QTY	QTY	QTY	QTY	QTY	QTY
1	001232	FIREBOX, GRIDDLE, WA, 12	1	-	-	-	-	-	-	-
	002924	FIREBOX, GRIDDLE, WA, 18	-	1	-	-	-	-	-	-
	002925	FIREBOX, GRIDDLE, WA, 24	-	-	1	-	-	2	-	-
	002926	FIREBOX, GRIDDLE, WA, 30	-	-	-	1	-	-	2	-
	000510	FIREBOX, GRIDDLE, WA, 36	-	-	-	-	1	-	-	2
2	000514	BURNER, U-TUBE, 40K BTU, GRIDDLE	-	1	2	2	3	4	4	6
3	000884	BURNER, TUBE, 16.5K BTU, GRIDDLE	1	-	-	1	-	-	2	-
4	001235	GRIDDLE PLATE, STD., 2" SIDES, W/A, 12	1	-	-	-	-	-	-	-
	001236	GRIDDLE PLATE, STD., 2" SIDES, W/A, 18	-	1	-	-	-	-	-	-
	001237	GRIDDLE PLATE, STD., 2" SIDES, W/A, 24	-	-	1	-	-	-	-	-
	001238	GRIDDLE PLATE, STD., 2" SIDES, W/A, 30	-	-	-	1	-	-	-	-
	000387	GRIDDLE PLATE, STD., 2" SIDES, W/A, 36	-	-	-	-	1	-	-	-
	003150	GRIDDLE PLATE, STD., 2" SIDES, W/A, 48	-	-	-	-	-	1	-	-
	003152	GRIDDLE PLATE, STD., 2" SIDES, W/A, 60	-	-	-	-	-	-	1	-
	002249	GRIDDLE PLATE, STD., 2" SIDES, W/A, 72	-	-	-	-	-	-	-	1
4.1	033824	SPLASH, GRIDDLE, BACK, 12"	1	-	-	-	-	-	-	-
	033825	SPLASH, GRIDDLE, BACK, 18"	-	1	-	-	-	-	-	-
	032944	SPLASH, GRIDDLE, BACK, 24"	-	-	1	-	-	-	-	-
	033826	SPLASH, GRIDDLE, BACK, 30"	-	-	-	1	-	-	-	-
	033827	SPLASH, GRIDDLE, BACK, 36"	-	-	-	-	1	-	-	-
	033828	SPLASH, GRIDDLE, BACK, 48"	-	-	-	-	-	1	-	-
	033829	SPLASH, GRIDDLE, BACK, 60"	-	-	-	-	-	-	1	-
	033831	SPLASH, GRIDDLE, BACK, 72"	-	-	-	-	-	-	-	1
5	004781	GRIDDLE PLATE, MIRROR, 2" SIDES, W/A, 12	1	-	-	-	-	-	-	-
	004782	GRIDDLE PLATE, MIRROR, 2" SIDES, W/A, 18	-	1	-	-	-	-	-	-
	004783	GRIDDLE PLATE, MIRROR, 2" SIDES, W/A, 24	-	-	1	-	-	-	-	-
	004784	GRIDDLE PLATE, MIRROR, 2" SIDES, W/A, 30	-	-	-	1	-	-	-	-
	003480	GRIDDLE PLATE, MIRROR, 2" SIDES, W/A, 36	-	-	-	-	1	-	-	-
	004785	GRIDDLE PLATE, MIRROR, 2" SIDES, W/A, 48	-	-	-	-	-	1	-	-

Item No.	Part No.	DESCRIPTION	HMG12	HMG18	HMG24	HMG30	HMG36	HMG48	HMG60	HMG72
			QTY	QTY	QTY	QTY	QTY	QTY	QTY	QTY
14	001751	BRACKET, ORIFICE, GRIDDLE, 12"	1	-	-	1	-	-	2	-
15	001831	PILOT ASSY., RIGHT ANGLE, 5CL-2, NG	1	1	2	3	3	4	6	6
	006035	PILOT ASSY., RIGHT ANGLE, 5CL-2, LP	1	1	2	3	3	4	6	6
16	000917	HOLDER, ORIFICE, BULKHEAD, SMALL	1	1	2	3	3	4	6	6
17	000513	BRACKET, ORIFICE, GRIDDLE	-	1	2	2	3	4	4	6
18	000293-043	ORIFICE, HOOD, #43 (NG)	-	1	2	2	3	4	4	6
	000293-053	ORIFICE, HOOD, #53 (NG)	-	-	-	1	-	-	-	-
	000293-050	ORIFICE, HOOD, #50 (NG)	1	-	-	-	-	-	2	-
	000293-053	ORIFICE, HOOD, #53 (LP)	-	1	2	2	3	4	4	6
	000293-059	ORIFICE, HOOD, #59 (LP)	-	-	-	1	-	-	-	-
	000293-056	ORIFICE, HOOD, #56 (LP)	1	-	-	-	-	-	2	-
19	004163	REGULATOR, STRAIGHT-THRU, 1"NPT, NG	1	1	1	1	1	1	1	1
	004162	REGULATOR, STRAIGHT-THRU, 1"NPT, LP	1	1	1	1	1	1	1	1
	004165	REGULATOR, STRAIGHT-THRU, 1-1/4"NPT, NG	1	1	1	1	1	1	1	1
	004164	REGULATOR, STRAIGHT-THRU, 1-1/4"NPT, LP	1	1	1	1	1	1	1	1
20	000470	ADJUSTABLE LEG, ASSY., 4"	4	4	4	4	4	6	6	6
21	014191	SERVICE, HB, 1/4-20 X 5/8, SS, PKG 4	4	4	4	4	4	6	6	6
22	000501	PANEL, SIDE, LH, RANGETOP	1	1	1	1	1	1	1	1
23	000122	PANEL, SIDE, RH, RANGETOP	1	1	1	1	1	1	1	1
24	013303	SERVICE, HB, 1/4-20 X .5, ZN, PKG 8	1	1	1	1	1	1	1	1
25	003659	PLATE SHELF, 12, W/A	1	-	-	-	-	-	-	-
	003660	PLATE SHELF, 18, W/A	-	1	-	-	-	-	-	-
	003662	PLATE SHELF, 24, W/A	-	-	1	-	-	-	-	-
	003663	PLATE SHELF, 30, W/A	-	-	-	1	-	-	-	-
	003664	PLATE SHELF, 36, W/A	-	-	-	-	1	-	-	-
	003665	PLATE SHELF, 48, W/A	-	-	-	-	-	1	-	-
	003667	PLATE SHELF, 60, W/A	-	-	-	-	-	-	1	-
	003668	PLATE SHELF, 72, W/A	-	-	-	-	-	-	-	1
	018046	PLATE SHELF, 6" EXTENDED, WA, 12	1	-	-	-	-	-	-	-
	034423	PLATE SHELF, 6" EXTENDED, WA, 18	-	1	-	-	-	-	-	-
	034424	PLATE SHELF, 6" EXTENDED, WA, 24	-	-	1	-	-	-	-	-
	013144	PLATE SHELF, 6" EXTENDED, WA, 30	-	-	-	1	-	-	-	-
	006053	PLATE SHELF, 6" EXTENDED, WA, 36	-	-	-	-	1	-	-	-

Item No.	Part No.	DESCRIPTION	HMG12	HMG18	HMG24	HMG30	HMG36	HMG48	HMG60	HMG72
			QTY	QTY	QTY	QTY	QTY	QTY	QTY	QTY
	017899	PLATE SHELF, 6" EXTENDED, WA, 48	-	-	-	-	-	1	-	-
	012814	PLATE SHELF, 6" EXTENDED, WA, 60	-	-	-	-	-	-	1	-
	001868	PLATE SHELF, 6" EXTENDED, WA, 72	-	-	-	-	-	-	-	1
	034428	PLATE SHELF, 8" EXTENDED, WA, 12	1	-	-	-	-	-	-	-
	034427	PLATE SHELF, 8" EXTENDED, WA, 18	-	1	-	-	-	-	-	-
	034426	PLATE SHELF, 8" EXTENDED, WA, 24	-	-	1	-	-	-	-	-
	034425	PLATE SHELF, 8" EXTENDED, WA, 30	-	-	-	1	-	-	-	-
	006069	PLATE SHELF, 8" EXTENDED, WA, 36	-	-	-	-	1	-	-	-
	021507	PLATE SHELF, 8" EXTENDED, WA, 48	-	-	-	-	-	1	-	-
	026249	PLATE SHELF, 8" EXTENDED, WA, 60	-	-	-	-	-	-	1	-
	021508	PLATE SHELF, 8" EXTENDED, WA, 72	-	-	-	-	-	-	-	1
25.1	012685	SERVICE, NUT, LOCK, SERRATED FLANGE, 1/4-20, PKG 4	1	1	1	1	1	1	2	2
26	012694	SERVICE, NUT, KEPS, 1/4-20, ZN, PKG 3	1	1	1	1	1	2	2	2
27	AHRGC	REAR GAS CONNECTION, 1" NPT	-	1	1	1	1	1	1	1



18" MANIFOLD SHOWN FOR REFERENCE

 HESTAN

DESCRIPTION	SERVICE, MANIFOLD, GAS ASSY., MANUAL GRIDDLE
DRAWING NO	
A1	

A1 - GAS MANIFOLD ASSEMBLY - GRIDDLE (MANUAL)

Item No.	Part No.	DESCRIPTION	HMG12	HMG18	HMG24	HMG30	HMG36	HMG48	HMG60	HMG72
			QTY	QTY	QTY	QTY	QTY	QTY	QTY	QTY
1	001244	MANIFOLD, GRIDDLE, W/A, 12	1	-	-	-	-	-	-	-
	001258	MANIFOLD, GRIDDLE, W/A, 18	-	1	-	-	-	-	-	-
	001259	MANIFOLD, GRIDDLE, W/A, 24	-	-	1	-	-	-	-	-
	001260	MANIFOLD, GRIDDLE, W/A, 30	-	-	-	1	-	-	-	-
	001093	MANIFOLD, GRIDDLE, W/A, 36	-	-	-	-	1	-	-	-
	004074	MANIFOLD, GRIDDLE, W/A, 48	-	-	-	-	-	1	-	-
	003727	MANIFOLD, GRIDDLE, W/A, 60	-	-	-	-	-	-	1	-
	002021	MANIFOLD, GRIDDLE, W/A, 72	-	-	-	-	-	-	-	1
2	015662	KIT, VALVE, ON-OFF, FLANGE-MOUNT, A23-F	1	1	2	3	3	4	6	6
2.1	015668	VALVE BODY, ON-OFF, FLANGE-MOUNT, A23-F	1	1	2	3	3	4	6	6
2.2	004643	FLANGED NIPPLE, 1/4 NPT	1	1	2	3	3	4	6	6
2.3	012750	SERVICE, SHCS, 10-24 X .500, SS, PKG 6	1	1	1	1	1	2	2	2
2.4	014103	SERVICE, O-RING, FLANGED NIPPLE, PKG 6	1	1	2	3	3	4	6	6
3	000113	VALVE, PILOT, 1/8NPT X 3/16 COMP., ELBOW	1	1	2	3	3	4	6	6
4	002321	ELBOW, ADAPTER, 1/4 NPT FEMALE X 3/8 CC	1	1	2	3	3	4	6	6
5	001413	BRACKET, VALVE ANTI-ROTATION, STD.	1	1	2	3	3	4	6	6
6	012689	SERVICE, SMS, #10 X .5, PH, PAN, ZN, PKG 3	1	1	1	1	1	2	2	2
7	012679	SERVICE, WSH, FLAT, 3/8 SAE, PKG 4	1	1	1	1	1	1	1	1
8	012681	SERVICE, NUT, 3/8-16 X .25, PKG 4	1	1	1	1	1	1	1	1
9	000258	PLUG, SQUARE SOCKET, 1" NPT	-	1	1	1	1	1	1	1
10	000254	UNION, 1.25", NPT, SET	1	1	1	1	1	1	1	1
11	AHCCL	CAP, MANIFOLD, LEFT, ASSY.	1	1	1	1	1	1	1	1
12	AHCCR	CAP, MANIFOLD, RIGHT, ASSY.	1	1	1	1	1	1	1	1
13	005682	HOSE, FLEX, 3/8 OD, 12", F-F, NUT/FERRULE	1	1	2	3	3	4	6	6
14	005687	HOSE, FLEX, 3/16 OD, 12", F-F, NUT/FERRULE	1	1	2	3	3	4	6	6
15	000360	PLUG, HEX SOCKET, 1/8" NPT	-	1	2	1	2	2	1	2
16	001940	PLUG, HEX SOCKET, 1/4" NPT	-	-	1	2	1	1	4	1