



Commercial Service Parts

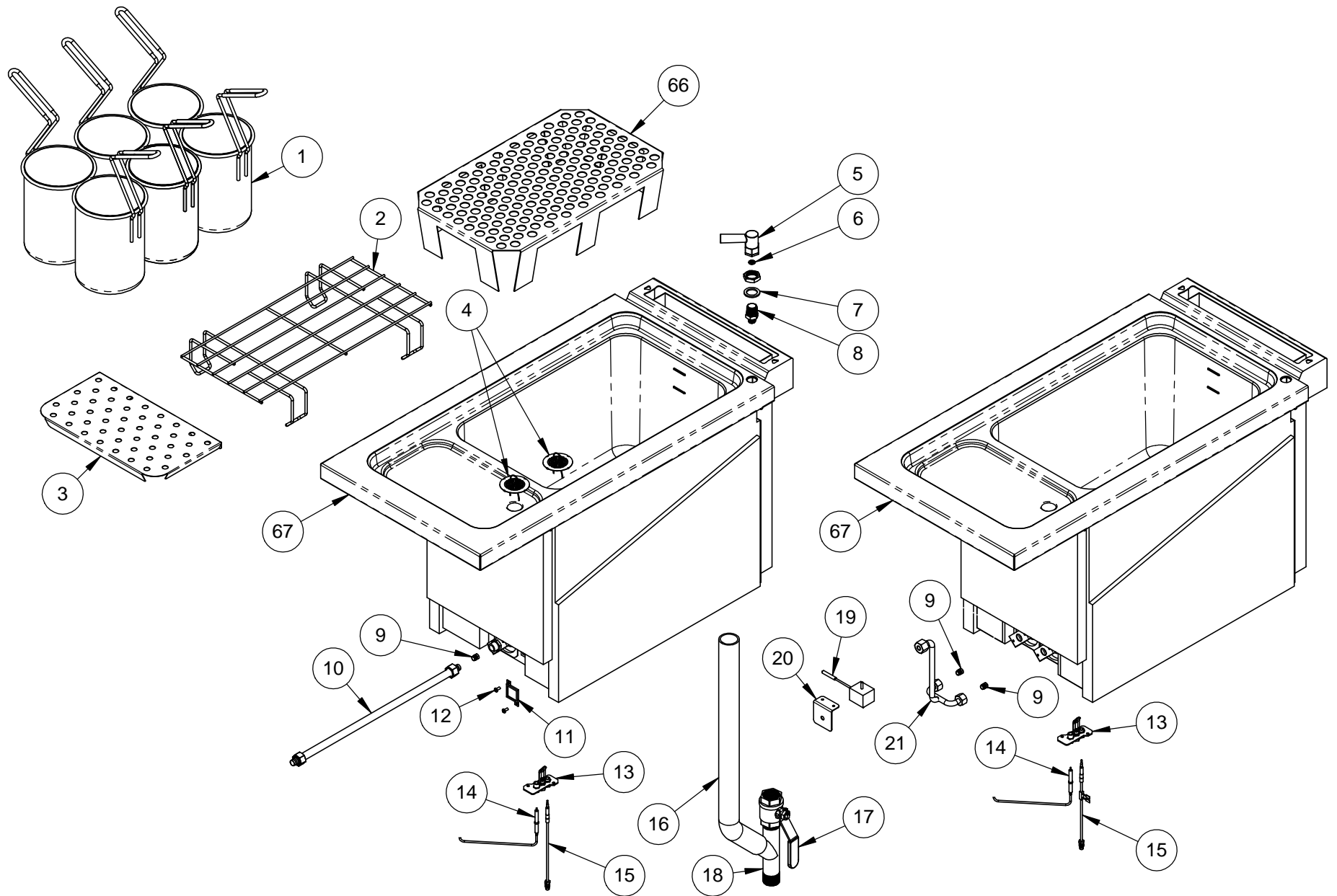
PASTA COOKER (HPC)

Hestan Commercial Corporation
3375 E. La Palma Ave.
Anaheim, CA 92806
(888) 905-7463

RETAIN THIS FOR FUTURE REFERENCE

Revised: Dec. 15, 2020

Rev. F



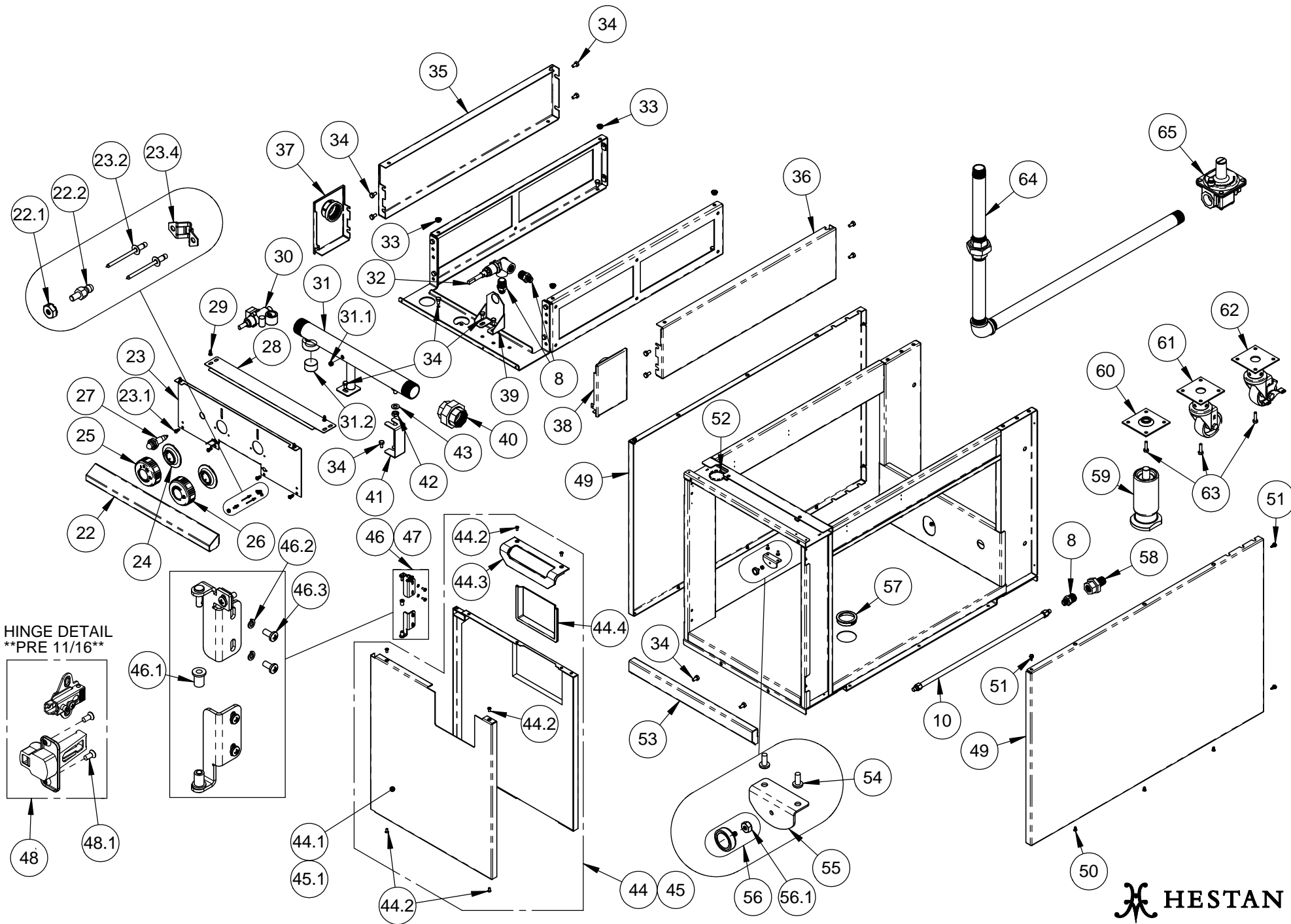
HESTAN

SERVICE, PASTA COOKER

DESCRIPTION

DRAWING NO

HPCX-SERVICE



HINGE DETAIL
 PRE 11/16

HESTAN

**SERVICE PARTS, PASTA
 COOKER
 HPCX-SERVICE**

DESCRIPTION

DRAWING NO

PASTA COOKER - SERVICE PARTS LIST

Item No.	Part No.	DESCRIPTION	HPCL18	HPCR18	HPCHL18	HPCHR18
			QTY	QTY	QTY	QTY
1	001769	BASKET, ROUND, PASTA COOKER	6	6	6	6
2	005287	RACK, FALSE BOTTOM, PASTA COOKER	1	1	1	1
3	001791	FRONT DRAIN COVER, PASTA COOKER	1	1	1	1
4	001767	STRAINER, DRAIN, PASTA COOKER	2	2	2	2
5	001779	SPOUT, PASTA COOKER	1	1	1	1
6	032333	WASHER, SPOUT, PASTA COOKER	1	1	1	1
7	024142	SPACER, FAUCET, PASTA COOKER	1	1	1	1
8	002934	ADAPTER, STRAIGHT, 1/2 NPT X 3/8" CC	4	4	4	4
9	006043-031	ORIFICE, MAIN, PASTA COOKER, 31 (NG)	1	1	-	-
	006043-048	ORIFICE, MAIN, PASTA COOKER, 48 (LP)	1	1	2	2
	006043-032	ORIFICE, MAIN, PASTA COOKER, 32 (NG)	-	-	2	2
10	034199	SERVICE, HOSE, FLEX, 12 MM OD, 475 MM, W/ FITTINGS	1	1	1	1
11	028652	SERVICE, PASTA, WINDOW, PILOT, KIT	1	1	1	1
12	013947	SERVICE, MS, 8-32 X .375, PH, PAN, SS, PKG 6	1	1	1	1
13	005265	BURNER, PILOT, PASTA COOKER	1	1	1	1
14	005268	IGNITER, CERAMIC, PASTA COOKER (W/ WIRE)	1	1	1	1
15	005269	THERMOCOUPLE, PUSH-IN, PASTA COOKER	1	1	-	-
	024114	THERMOCOUPLE, PUSH-IN, PASTA COOKER, 80K, HI TEMP SAFE, INTERRUPT	-	-	1	1
16	034202	RUBBER DRAIN, PASTA COOKER	1	1	1	1
17	006046	DRAIN VALVE, 1 NPT, PASTA COOKER	1	1	1	1
18	033406	Y PIPE, DRAIN, PASTA COOKER	1	1	1	1
19	024141	HIGH LIMIT, TEMP CUTOFF, RESET BUTTON, PASTA COOKER	-	-	1	1
20	024149	BRACKET, HIGH LIMIT, PASTA COOKER 80K	-	-	1	1
21	024128	TUBING, BURNER, PASTA COOKER, 80K, HI TEMP SAFE	-	-	1	1
22	004763	CHIN, CONTROL PANEL, 18" W/O HANDLE, ASSY	1	1	1	1
22.1	012681	SERVICE, NUT, 3/8-16 X .25, PKG 4	1	1	1	1
22.2	012752	BALL STUD, MALE, 6-32 UNC, PKG 4	1	1	1	1
23	034203	SERVICE, PANEL, CONTROL, PASTA, ASSY, 18	1	1	1	1
23.1	012672	SMS, 10-24 X 1/2, PH, PAN, TYPE F, SS, PKG 4	1	1	1	1

Item No.	Part No.	DESCRIPTION	HPCL18	HPCR18	HPCHL18	HPCHR18
			QTY	QTY	QTY	QTY
23.2	012751	POP RIVET, CSINK, 1/8DIA X .275L, SS, PKG 8	1	1	1	1
23.4	012752	RECEPTACLE, BALL STUD, 18LB PULL, PKG 4	1	1	1	1
24	001758	BEZEL, PASTA COOKER	2	2	2	2
25	001754	KNOB, GAS, PASTA COOKER	1	1	1	1
26	001756	KNOB, WATER, PASTA COOKER	1	1	1	1
27	001760	IGNITER, PIEZO, PASTA COOKER	1	1	1	1
28	012971	RETAINER, INSULATION, PASTA COOKER	1	1	1	1
29	012672	SMS, 10-24 X 1/2, PH, PAN, TYPE F, SS, PKG 4	1	1	1	1
30	001764	VALVE, GAS, PASTA COOKER	1	1	1	1
31	003773	MANIFOLD, PASTA, WA	1	1	1	1
31.1	000360	PLUG, HEX SOCKET, 1/8 NPT	1	1	1	1
31.2	000258	PLUG, SQUARE SOCKET, 1" NPT	1	1	1	1
32	001765	VALVE, WATER, PASTA COOKER	1	1	1	1
33	012685	NUT, LOCK, SERR. FLANGE, 1/4-20, ZN, PKG 4	1	1	1	1
34	013303	SERVICE, HB, 1/4-20 X .50, ZN, PKG 8	1	1	1	1
35	000501	PANEL, SIDE, LH, RANGETOP	1	1	1	1
36	000122	PANEL, SIDE, RH, RANGETOP	1	1	1	1
37	AHCCL	CAP, MANIFOLD, LEFT, ASSY	1	1	1	1
38	AHCCR	CAP, MANIFOLD, RIGHT, ASSY	1	1	1	1
39	003751	BRACKET, VALVE, WATER, PASTA	1	1	1	1
40	000254	UNION, 1.25" NPT, SET	1	1	1	1
41	005816	BRACKET, SUPPORT, MANIFOLD, PASTA	1	1	1	1
42	012681	SERVICE, NUT, 3/8-16 X .25, PKG 4	1	1	1	1
43	012679	SERVICE, WSH, FLAT, 3/8 SAE (.406 X .812 X .065), ZN, PKG 4	1	1	1	1
44	015368-018-XX*	SERVICE, DOOR, LH, ASSY, 18", VER. 2	1	1	1	1
44.1	015335-018-XX*	FRONT PANEL, DOOR, LH, 18"	1	1	1	1
44.2	015396	SERVICE, MS, 10-24 X 3/8, PH, FLT, SS, POLY PATCH, PKG 4	1	1	1	1
44.3	002558	HANDLE, CABINET	1	1	1	1
44.4	002616	INSERT, RECESSED, HANDLE, ASSY	1	1	1	1
45	015370-018-XX*	SERVICE, DOOR, RH, ASSY, 18", VER. 2	1	1	1	1
45.1	015193-018-XX*	FRONT PANEL, DOOR, RH, 18"	1	1	1	1
46	015350	SERVICE, CABINET HINGE, LH, VER. 2, KIT	1	1	1	1
46.1	015352	SERVICE, BEARING, SLEEVE, FLANGED, LUBR., 3/16 X 5/16 X 1/2 LNG, PKG 4	1	1	1	1

Item No.	Part No.	DESCRIPTION	HPCL18	HPCR18	HPCHL18	HPCHR18
			QTY	QTY	QTY	QTY
46.2	015921	SERVICE, WSH, SPLIT LOCK, #8, SS, PKG 6	1	1	1	1
46.3	011857	SERVICE, MS, 8-32 X .375, PH, PAN, SS, PKG 6	1	1	1	1
47	016231	SERVICE, CABINET HINGE, RH, VER. 2, KIT	1	1	1	1
48	015345	SERVICE, CABINET HINGE, VER. 1, KIT **PRE 11/16**	1	1	1	1
48.1	011702	SERVICE, MS, 8-32 X .375, PH, FLT, SS, PKG 8	1	1	1	1
49	000971-XX	PANEL, SIDE, CABINET **COLOR CODE REQUIRED**	2	2	2	2
50	014260	SERVICE, MS, 10-24 X 3/8, PH, FLT, SS, PKG 8	1	1	1	1
51	002523	SERVICE, SMS, TEK, #10 X 1/2", ZN, PKG 8	1	1	1	1
52	004121	PLUG, ROUND, 1-13/16 DIA, STEEL	1	1	1	1
53	003936	KICK PLATE, CABINET, WA, 18	1	1	1	1
54	011857	SERVICE, MS, 8-32 X .375, PH, PAN, SS, PKG 6	1	1	1	1
55	003396	BRACKET, MAGNET, DOOR	1	1	1	1
56	015371	SERVICE, MAGNET, 3/4 DIA, KIT	1	1	1	1
56.1	034195	SERVICE, NUT, NYLOK, #6-32, SS, PKG 4	1	1	1	1
57	003006	SNAP BUSHING, 1.64" ID, BLACK	1	1	1	1
58	007446	INLET, WATER, PASTA COOKER	1	1	1	1
59	000428	ADJUSTABLE LEG, 6"	4	4	4	4
60	000267	PLATE, MOUNTING, LEG	4	4	4	4
61	000486	CASTER, SWIVEL, ADJUSTABLE, 3", W/O BRAKE	4	4	4	4
62	001227	CASTER, SWIVEL, ADJUSTABLE, 3", W/ BRAKE	4	4	4	4
63	013958	SERVICE, HB, 1/4-20 X 1.0, SS, PKG 8	1	1	1	1
64	AHRGCFP	REAR GAS CONNECTION, FRYER-PASTA, 1" NPT	1	1	1	1
65	004163	REGULATOR, STRAIGHT-THRU, 1"NPT, NG	1	1	1	1
	004162	REGULATOR, STRAIGHT-THRU, 1"NPT, LP	1	1	1	1
	004165	REGULATOR, STRAIGHT-THRU, 1-1/4"NPT, NG	1	1	1	1
	004164	REGULATOR, STRAIGHT-THRU, 1-1/4"NPT, LP	1	1	1	1
66	AHPBL	LIFT, BASKET, PASTA COOKER	1	1	1	1
67	017320	SERVICE, TANK, PASTA, WA	1	1	-	-
	034739	SERVICE, TANK, PASTA, HIGH BTU, WA	-	-	1	1

*Consult with factory regarding replacements for doors with center-mounted handles (old ver.)