

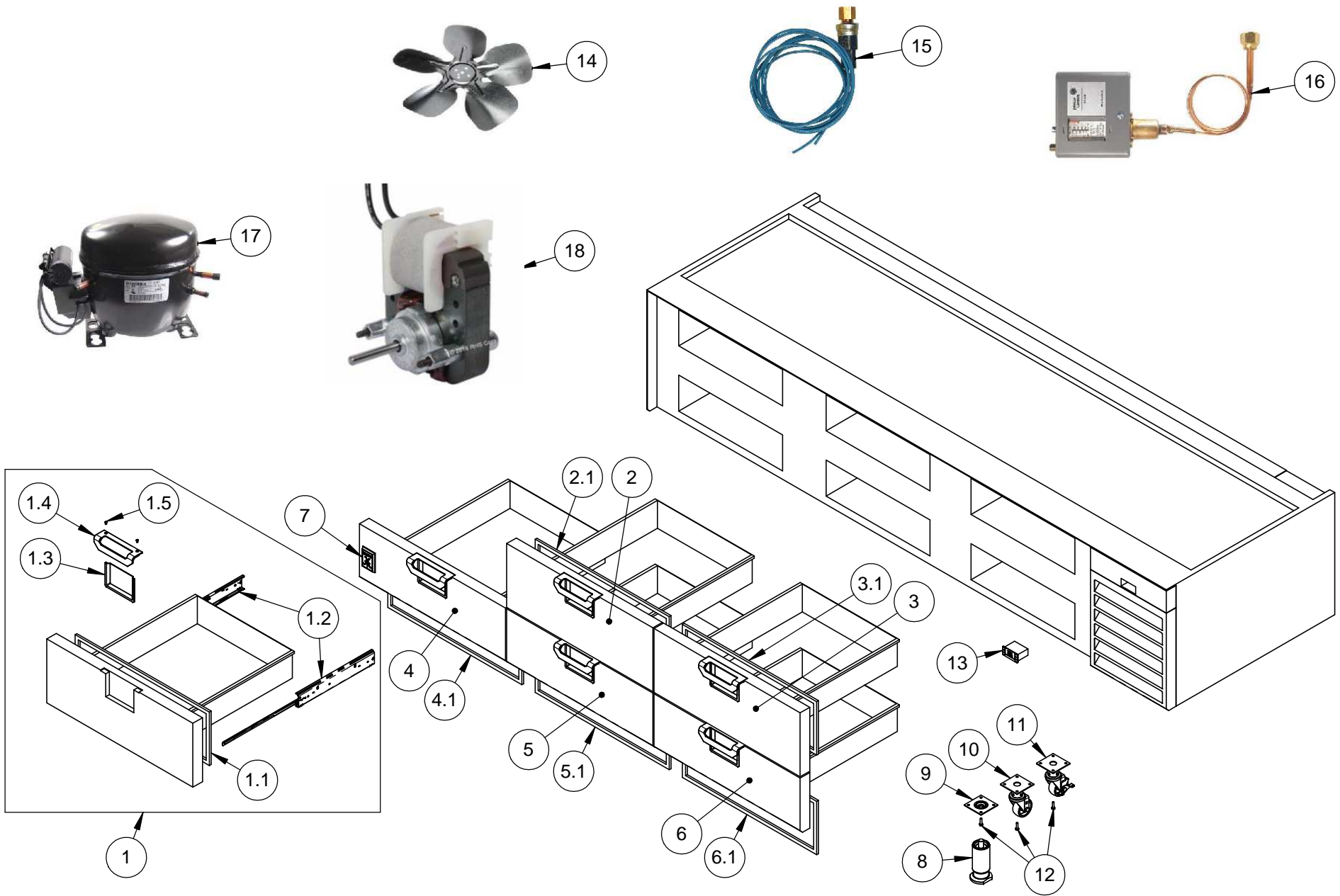
Commercial Service Parts

REFRIGERATED BASE (HRBS/HRBR)
FREEZER BASE (HFBS/HFBR)

Hestan Commercial Corporation
3375 E. La Palma Ave.
Anaheim, CA 92806
(888) 905-7463

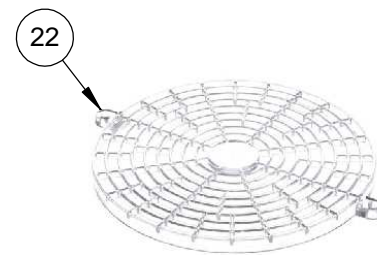
RETAIN THIS FOR FUTURE REFERENCE

Revised: Dec. 15, 2020
Rev. B



HESTAN

DESCRIPTION	SERVICE, REFRIGERATED BASE / FREEZER BASE
DRAWING NO	HXBX-SERVICE



HESTAN

DESCRIPTION	SERVICE, REFRIGERATED BASE / FREEZER BASE
DRAWING NO	HXBX-SERVICE

Item No.	Part No.	DESCRIPTION	HRBS36	HRBS48	HRBS54	HRBS60	HRBS72	HRBS84	HRBS96	HRBS108	HRBR36	HRBR48	HRBR54	HRBR60	HRBR72	HRBR84	HRBR96	HRBR108	HFBS36	HFBS48	HFBS54	HFBS60	HFBS72	HFBS84	HFBS96	HFBS108	HFBR36	HFBR48	HFBR54	HFBR60	HFBR72	HFBR84	HFBR96	HFBR108
			QTY	QTY	QTY	QTY	QTY	QTY	QTY	QTY	QTY	QTY	QTY	QTY	QTY	QTY	QTY	QTY	QTY	QTY	QTY	QTY	QTY	QTY	QTY	QTY	QTY	QTY	QTY	QTY	QTY	QTY	QTY	QTY
11	001227	CASTER, SWIVEL, ADJUSTABLE, 3", W/ BRAKE	4	4	6	6	6	6	6	6	4	4	6	6	6	6	6	6	4	4	6	6	6	6	6	6	4	4	6	6	6	6	6	6
12	013958	SERVICE, HB, 1/4-20 X 1.0, SS, PKG 8	2	2	3	3	3	3	3	3	2	2	3	3	3	3	3	3	2	2	3	3	3	3	3	2	2	3	3	3	3	3	3	
13	020905	SERVICE, TEMP CONTROL, XR20CX-4ROF7	1	1	1	1	1	1	1	1	1	1	1	1	1	1	1	1	1	1	1	1	1	1	1	1	1	1	1	1	1	1	1	
14	020910	SERVICE, FAN BLADE M4TM-0020-IAA, 083-0046-01	*	*	*	*	*	*	*	*	*	*	*	*	*	*	*	*	*	*	*	*	*	*	*	*	*	*	*	*	*	*	*	
	020911	SERVICE, FAN BLADE M4PH-A035-IAA, 083-0131-00	*	*	*	*	*	*	*	*	*	*	*	*	*	*	*	*	*	*	*	*	*	*	*	*	*	*	*	*	*	*	*	
	020912	SERVICE, FAN BLADE M4EH-0049-CAA-020, 083-0130-00	*	*	*	*	*	*	*	*	*	*	*	*	*	*	*	*	*	*	*	*	*	*	*	*	*	*	*	*	*	*	*	
	020924	SERVICE, FAN BLADE M4FL-0033-IAA, 083-0122-00	*	*	*	*	*	*	*	*	*	*	*	*	*	*	*	*	*	*	*	*	*	*	*	*	*	*	*	*	*	*	*	
	020925	SERVICE, FAN BLADE M4EH-0049-CAA-020, 083-0133-00	*	*	*	*	*	*	*	*	*	*	*	*	*	*	*	*	*	*	*	*	*	*	*	*	*	*	*	*	*	*	*	*
	035908	SERVICE, FAN BLADE 5101B	*	*	*	*	*	*	*	*	*	*	*	*	*	*	*	*	*	*	*	*	*	*	*	*	*	*	*	*	*	*	*	*
15	020916	SERVICE, LOW PRESSURE CONTROL, FIXED, P100AC-2C	*	*	*	*	*	*	*	*	*	*	*	*	*	*	*	*	*	*	*	*	*	*	*	*	*	*	*	*	*	*	*	
	024066	SERVICE, LOW PRESSURE CONTROL, FIXED, P100AP-201C	*	*	*	*	*	*	*	*	*	*	*	*	*	*	*	*	*	*	*	*	*	*	*	*	*	*	*	*	*	*	*	*
16	020918	SERVICE, LOW PRESSURE CONTROL, ADJUSTABLE, P70AB-2C	*	*	*	*	*	*	*	*	*	*	*	*	*	*	*	*	*	*	*	*	*	*	*	*	*	*	*	*	*	*	*	*
17	020909	SERVICE, WELD COMP. NE9213GK R404A, ASE32C3E-CAA-901	*	*	*	*	*	*	*	*	*	*	*	*	*	*	*	*	*	*	*	*	*	*	*	*	*	*	*	*	*	*	*	*
	020908	SERVICE, WELD COMP. NE6210GK R404A, ASE24C3E-IAA-901	*	*	*	*	*	*	*	*	*	*	*	*	*	*	*	*	*	*	*	*	*	*	*	*	*	*	*	*	*	*	*	*
	020909	SERVICE, WELD COMP. NE9213GK R404A, ASE32C3E-CAA-901	*	*	*	*	*	*	*	*	*	*	*	*	*	*	*	*	*	*	*	*	*	*	*	*	*	*	*	*	*	*	*	*
	020921	SERVICE, WELD COMP. M4FL-0033-IAA, AFE11C3E-IAA-901	*	*	*	*	*	*	*	*	*	*	*	*	*	*	*	*	*	*	*	*	*	*	*	*	*	*	*	*	*	*	*	*
	020922	SERVICE, WELD COMP. M4FL-A040-IAA, AFE13C3E-IAA-901	*	*	*	*	*	*	*	*	*	*	*	*	*	*	*	*	*	*	*	*	*	*	*	*	*	*	*	*	*	*	*	*
	020923	SERVICE, WELD COMP. NE9213GK R404A, AFT26C1E-CFA-901	*	*	*	*	*	*	*	*	*	*	*	*	*	*	*	*	*	*	*	*	*	*	*	*	*	*	*	*	*	*	*	*
18	024586	SERVICE, EVAPORATOR FAN MOTOR, VA12, BOHN 33-218, 120V	*	*	*	*	*	*	*	*	*	*	*	*	*	*	*	*	*	*	*	*	*	*	*	*	*	*	*	*	*	*	*	*
19	020919	SERVICE, LIQUID FILTER DRYER, REFRIGERATOR, C-052S 1/4	*	*	*	*	*	*	*	*	*	*	*	*	*	*	*	*	*	*	*	*	*	*	*	*	*	*	*	*	*	*	*	*
	020929	SERVICE, LIQUID FILTER DRYER, FREEZER, 013-7000-23	*	*	*	*	*	*	*	*	*	*	*	*	*	*	*	*	*	*	*	*	*	*	*	*	*	*	*	*	*	*	*	*
20	020920	SERVICE, LIQUID SIGHT GLASS, REFRIGERATOR, SA-12S 1/4	*	*	*	*	*	*	*	*	*	*	*	*	*	*	*	*	*	*	*	*	*	*	*	*	*	*	*	*	*	*	*	*
	020930	SERVICE, LIQUID SIGHT GLASS, FREEZER, 570-7003-04	*	*	*	*	*	*	*	*	*	*	*	*	*	*	*	*	*	*	*	*	*	*	*	*	*	*	*	*	*	*	*	*
21	020698	SERVICE, FAN MOTOR FOR OTF-10 EVAPORATOR COIL	*	*	*	*	*	*	*	*	*	*	*	*	*	*	*	*	*	*	*	*	*	*	*	*	*	*	*	*	*	*	*	*
	020914	SERVICE, FAN MOTOR, 050-0259-00	*	*	*	*	*	*	*	*	*	*	*	*	*	*	*	*	*	*	*	*	*	*	*	*	*	*	*	*	*	*	*	*
	020913	SERVICE, FAN MOTOR 9W115SHORT, 050-0299-00	*	*	*	*	*	*	*	*	*	*	*	*	*	*	*	*	*	*	*	*	*	*	*	*	*	*	*	*	*	*	*	*
	020926	SERVICE, FAN MOTOR M4FL-0033-IAA, 050-0258-00	*	*	*	*	*	*	*	*	*	*	*	*	*	*	*	*	*	*	*	*	*	*	*	*	*	*	*	*	*	*	*	*
	020927	SERVICE, FAN MOTOR M4FL-A040-IAA, 050-0300-00	*	*	*	*	*	*	*	*	*	*	*	*	*	*	*	*	*	*	*	*	*	*	*	*	*	*	*	*	*	*	*	*
	020928	SERVICE, FAN MOTOR M4EH-0049-CAA-020, 050-0267-00	*	*	*	*	*	*	*	*	*	*	*	*	*	*	*	*	*	*	*	*	*	*	*	*	*	*	*	*	*	*	*	*
	020932	SERVICE, FAN MOTOR FOR OTF-08, 4C743	*	*	*	*	*	*	*	*	*	*	*	*	*	*	*	*	*	*	*	*	*	*	*	*	*	*	*	*	*	*	*	*
	020934	SERVICE, FAN MOTOR FOR OTF-13, 4YJ30	*	*	*	*	*	*	*	*	*	*	*	*	*	*	*	*	*	*	*	*	*	*	*	*	*	*	*	*	*	*	*	*
22	035909	SERVICE, FAN GUARD 5054D	*	*	*	*	*	*	*	*	*	*	*	*	*	*	*	*	*	*	*	*	*	*	*	*	*	*	*	*	*	*	*	*
23	020699	SERVICE, DRAIN PAN FOR OTM-10 EVAPORATOR COIL (NOT SHOWN)	*	*	*	*	*	*	*	*	*	*	*	*	*	*	*	*	*	*	*	*	*	*	*	*	*	*	*	*	*	*	*	*
24	020931	SERVICE, EXPANSION VALVE, FBS-1/4-ZP (NOT SHOWN)	*	*	*	*	*	*	*	*	*	*	*	*	*	*	*	*	*	*	*	*	*	*	*	*	*	*	*	*	*	*	*	*
	020935	SERVICE, FRONT COVER, OTF-08 (NOT SHOWN)	*	*	*	*	*	*	*	*	*	*	*	*	*	*	*	*	*	*	*	*	*	*	*	*	*	*	*	*	*	*	*	*
25	020936	SERVICE, FRONT COVER, OTF-09 (NOT SHOWN)	*	*	*	*	*	*	*	*	*	*	*	*	*	*	*	*	*	*	*	*	*	*	*	*	*	*	*	*	*	*	*	*
	020937	SERVICE, FRONT COVER, OTF-13 (NOT SHOWN)	*	*	*	*	*	*	*	*	*	*	*	*	*	*	*	*	*	*	*	*	*	*	*	*	*	*	*	*	*	*	*	*
26	020938	SERVICE, STRAINER, PS-25 (NOT SHOWN)	*	*	*	*	*	*	*	*	*	*	*	*	*	*	*	*	*	*	*	*	*	*	*	*	*	*	*	*	*	*	*	*
27	020939	SERVICE, FAN DELAY, 37T33 (NOT SHOWN)	*	*	*	*	*	*	*	*	*	*	*	*	*	*	*	*	*	*	*	*	*	*	*	*	*	*	*	*	*	*	*	*
28	020940	SERVICE, SOLENOID COIL, MKC-120 (NOT SHOWN)	*	*	*	*	*	*	*	*	*	*	*	*	*	*	*	*	*	*	*	*	*	*	*	*	*	*	*	*	*	*	*	*
29	020941	SERVICE, SOLENOID VALVE, E5S-1/4 (NOT SHOWN)	*	*	*	*	*	*	*	*	*	*	*	*	*	*	*	*	*	*	*	*	*	*	*	*	*	*	*	*	*	*	*	*
30	020942	SERVICE, TERMINAL BLOCK, 6714KT (NOT SHOWN)	*	*	*	*	*	*	*	*	*	*	*	*	*	*	*	*	*	*	*	*	*	*	*	*	*	*	*	*	*	*	*	*
31	020943	SERVICE, HEATER FOR OTF-08, CUSTOM (NOT SHOWN)	*	*	*	*	*	*	*	*	*	*	*	*	*	*	*	*	*	*	*	*	*	*	*	*	*	*	*	*	*	*	*	*
	020944	SERVICE, HEATER FOR OTF-09, 10-6993-15 (NOT SHOWN)	*	*	*	*	*	*	*	*	*	*	*	*	*	*	*	*	*	*	*	*	*	*	*	*	*	*	*	*	*	*	*	*
	020945	SERVICE, HEATER FOR OTF-13, 10-6993-23 (NOT SHOWN)	*	*	*	*	*	*	*	*	*	*	*	*	*	*	*	*	*	*	*	*	*	*	*	*	*	*	*	*	*	*	*	*
32	020946	SERVICE, HEATER LIMIT, 37T31 (NOT SHOWN)	*	*	*	*	*	*	*	*	*	*	*	*	*	*	*	*	*	*	*	*	*	*	*	*	*	*	*	*	*	*	*	*
33	021492	SERVICE, TEMPERATURE PROBE, 18NB NTC (NOT SHOWN)	*	*	*	*	*	*	*	*	*	*	*	*	*	*	*	*	*	*	*	*	*	*	*	*	*	*	*	*	*	*	*	*
34	021721	SERVICE, LOW SIDE, #44396-P, DECK VALVE, REFRIGERATED BASE (NOT SHOWN)	*	*	*	*	*	*	*	*	*	*	*	*	*	*	*	*	*	*	*	*	*	*	*	*	*	*	*	*	*	*	*	*

Notes:
*For assistance, contact the Hestan Service Department with the refrigerator / freezer serial number & the part number for the desired service part
**For gasket replacements, contact the Hestan Service Department with the refrigerator / freezer serial number to verify correct gasket needs